



## ***Manual Meat Slicers***

***Models MS-IT-0250-M, 0300-M, 0350-M, 0370-M  
Items 20013, 13634, 13639, 18830***

## ***Instruction Manual***



*Revised - 05/30/2023*



---

Toll Free: 1-800-465-0234  
Fax: 905-607-0234  
Email: [service@omcan.com](mailto:service@omcan.com)  
[www.omcan.com](http://www.omcan.com)



# ***Table of Contents***

Model MS-IT-0250-M / Model MS-IT-0300-M  
Model MS-IT-0350-M / Model MS-IT-0370-M

---

<b>Section</b>	<b>Page</b>
General Information -----	3 - 4
Safety and Warranty -----	4 - 7
Technical Specifications -----	7
Installation -----	8 - 9
Operation -----	9 - 11
Maintenance -----	11 - 15
Troubleshooting -----	15
Instructions Français -----	16 - 27
Instrucciones en Español -----	27 - 38
Figure Drawings -----	39 - 44
Parts Breakdown -----	45 - 91
Notes -----	92 - 94
Warranty Registration -----	95



# General Information

---

Omcan Manufacturing and Distributing Company Inc., Food Machinery of America, Inc. dba Omcan and Omcan Inc. are not responsible for any harm or injury caused due to any person's improper or negligent use of this equipment. The product shall only be operated by someone over the age of 18, of sound mind, and not under the influence of any drugs or alcohol, who has been trained in the correct operation of this machine, and is wearing authorized, proper safety clothing. Any modification to the machine voids any warranty, and may cause harm to individuals using the machine or in the vicinity of the machine while in operation.

## CHECK PACKAGE UPON ARRIVAL

Upon receipt of an Omcan shipment please inspect for external damage. If no damage is evident on the external packaging, open carton to ensure all ordered items are within the box, and there is no concealed damage to the machine. If the package has suffered rough handling, bumps or damage (visible or concealed), please note it on the bill of lading before accepting the delivery and contact Omcan within 24 hours, so we may initiate a claim with the carrier. A detailed report on the extent of the damage caused to the machine must be filled out within three days, from the delivery date shown in the shipping documents. Omcan has no recourse for damaged products that were shipped collect or third party.

**Before operating any equipment, always read and familiarize yourself with all operation and safety instructions.**

Omcan would like to thank you for purchasing this machine. It's of the utmost importance to save these instructions for future reference. Also save the original box and packaging for shipping the equipment if servicing or returning of the machine is required.

---

Omcan Fabrication et distribution Compagnie Limitée et Food Machinery d'Amérique, dba Omcan et Omcan Inc. ne sont pas responsables de tout dommage ou blessure causé du fait que toute personne ait utilisé cet équipement de façon irrégulière. Le produit ne doit être exploité que par quelqu'un de plus de 18 ans, sain d'esprit, et pas sous l'influence d'une drogue ou d'alcool, qui a été formé pour utiliser cette machine correctement, et est vêtu de vêtements de sécurité appropriés. Toute modification de la machine annule toute garantie, et peut causer un préjudice à des personnes utilisant la machine ou des personnes à proximité de la machine pendant son fonctionnement.

## VÉRIFIEZ LE COLIS DÈS RÉCEPTION

Dès réception d'une expédition d'Omcan veuillez inspecter pour dommages externes. Si aucun dommage n'est visible sur l'emballage externe, ouvrez le carton afin de s'assurer que tous les éléments commandés sont dans la boîte, et il n'y a aucun dommage dissimulé à la machine. Si le colis n'a subi aucune mauvaises manipulations, de bosses ou de dommages (visible ou cachée), notez-le sur le bond de livraison avant d'accepter la livraison et contactez Omcan dans les 24 heures qui suivent, pour que nous puissions engager une réclamation auprès du transporteur. Un rapport détaillé sur l'étendue des dommages causés à la machine doit être rempli dans un délai de trois jours, à compter de la date de livraison indiquée dans les documents d'expédition. Omcan n'a aucun droit de recours pour les produits endommagés qui ont été expédiés ou cueilli par un tiers transporteur.

# General Information

---

Avant d'utiliser n'importe quel équipement, toujours lire et vous familiariser avec toutes les opérations et les consignes de sécurité.

Omcan voudrais vous remercier d'avoir choisi cette machine. Il est primordial de conserver ces instructions pour une référence ultérieure. Également conservez la boîte originale et l'emballage pour l'expédition de l'équipement si l'entretien ou le retour de la machine est nécessaire.

---

Omcan Empresa De Fabricacion Y Distribucion Inc. Y Maquinaria De Alimentos De America, Inc. dba Omcan y Omcan Inc. no son responsables de ningun daño o perjuicio causado por cualquier persona inadecuada o el uso descuidado de este equipo. El producto solo podra ser operado por una persona mayor de 18 años, en su sano juicio y no bajo alguna influencia de droga o alcohol, y que este ha sido entrenado en el correcto funcionamiento de esta máquina, y ésta usando ropa apropiada y autorizada. Cualquier modificación a la máquina anula la garantía y puede causar daños a las personas usando la máquina mientras esta en el funcionamiento.

## REVISE EL PAQUETE A SU LLEGADA

Tras la recepcion de un envio Omcan favor inspeccionar daños externos. Si no hay daños evidentes en el empaque exterior, Habra el carton para asegurarse que todos los articulos solicitados estén dentro de la caja y no encuentre daños ocultos en la máquina. Si el paquete ha sufrido un manejo de poco cuidado, golpes o daños (visible o oculto) por favor anote en la factura antes de aceptar la entrega y contacte Omcan dentro de las 24 horas, de modo que podamos iniciar una reclamación con la compañía. Un informe detallado sobre los daños causados a la máquina debe ser llenado en el plazo de tres días, desde la fecha de entrega que se muestra en los documentos de envío. Omcan no tiene ningun recurso por productos dañados que se enviaron a recoger por terceros.

Antes de utilizar cualquier equipo, siempre lea y familiarizarse con todas las instrucciones de funcionamiento y seguridad.

Omcan le gustaría darle las gracias por la compra de esta máquina. Es de la mayor importancia para salvar estas instrucciones para futuras consultas. Además, guarda la caja original y el embalaje para el envío del equipo si servicio técnico o devolución de la máquina que se requiere.

# Safety and Warranty

---

## USER WARNINGS

Check the slicer's mechanical integrity prior to every use. Components should show no signs of damage or cracks. If this is not the case, **DO NOT** use the slicer and take it to an authorised service centre so that the necessary checks can be performed.

The slicer is not designed for use by people (including children) with physical, sensory or mental

# Safety and Warranty

---

difficulties unless supervised or trained by persons responsible for their safety.

Children and young people should be supervised so that they do not play with the slicer.

The blade is very sharp and should be handled with extreme care.

*Do not damage the blade by cutting hard objects such as bones.*

Safe use requires compliance with the following warnings:

- Install the machine in accordance with the instructions given under the “Installation” section.
- Install the machine in an area that cannot be accessed untrained people and children.

**Use of the machine requires full attention. PAY ATTENTION AT ALL TIMES!**

Do not wear loose-fitting clothes particularly with open sleeves; where necessary use suitable headgear to hold back hair.

- When slicing, do not allow anyone to touch the slicer, especially the blade.
- Do not remove, cover or alter the rating plates fitted to the machine body and ensure their prompt replacement in case of damage.

**Do not remove safety devices and do not alter or remove safety guards.**

- Only approved product types should be sliced, do not attempt to slice products that are specifically excluded.
- Ensure that the product holder, receiving tray, surrounding areas and floor are kept clean and dry at all times.
- Do not use the slicer as a supporting surface or lay any object on it that will not allow normal slicing operations.
- Stop the machine immediately and request the assistance of authorised technical support staff in the event of malfunction, suspected breakage, improper movements, strange noises, etc.

**Always use cut and tear-resistant gloves when performing cleaning and maintenance.**

The product to be sliced should only be placed on and removed from the feed carriage when the latter is fully retracted (furthest away from the blade) and the carriage nearest the operator.

**DO NOT use slicing accessories that have not been supplied by Omcan.**

Please contact the Omcan or an authorised service centre for all extraordinary maintenance operations (chain, blade replacement, etc).

## USING THE SLICER CORRECTLY

The slicer is only designed to slice food of the type and size specified herein.

# ***Safety and Warranty***

---

**Omcan does not accept liability for improper use or use by staff who have failed to read and fully understand the contents of this manual; do-it-yourself alterations and/or repairs; use of spares that are non-original or not specifically designed for the slicer model covered by this user guide.**

**The following products may be sliced:**

- All types of cold cuts (raw and cooked ham, bacon).
- Boneless meat (cooked or raw at a temperature of not less than +3°C).

**The following products CANNOT be sliced as they are liable to cause serious harm to the user and/or the slicer itself:**

- Frozen food.
- Deep-frozen food.
- Food with bones (meat and fish).
- Cheese.
- Any other type of product which is able to be sliced but not intended to be eaten.

**Under no circumstances should you attempt to slice any products listed above.**

## **MANUFACTURER'S WARRANTY AND LIABILITY**

- The slicer is covered by warranty specified in the enclosed certificate.
- The warranty guarantees that the slicer is of merchantable quality and fit for its intended purpose is subject to correct application of the provisions contained herein.

**Omcan shall accept no direct or indirect liability arising from:**

- Failure to comply with the instructions given in this manual.
- Use by staff who have failed to read and fully understand the contents of this manual.
- Use that fails to comply with specific current regulations of local law.
- Alterations and/or repairs to the machine performed without prior authorisation.
- Use of accessories not supplied by Omcan and non-original spares.

*When transferring ownership of the slicer, failure to hand over this guide to the new owner shall automatically exempt Omcan from any liability.*

The slicer mentioned in this instruction booklet is designed and manufactured according to current standards with the CE marking confirming such conformity. In particular, the slicer complies with standard EN 1974 (for requirements deemed applicable).

The rating plate is positioned on the base of the slicer as shown in fig.1.

*The rating plate should NOT be removed and should remain legible at all times. In the event of damage or wear, the user has a duty to contact Omcan and obtain a replacement.*

**RESIDENTIAL USERS: Vendor assumes no liability for parts or labor coverage for component failure or other damages resulting from installation in non-commercial or residential applications. The right**



# Safety and Warranty

is reserved to deny shipment for residential usage; if this occurs, you will be notified as soon as possible.

## 1 YEAR PARTS AND LABOUR WARRANTY

Within the warranty period, contact Omcan Inc. at 1-800-465-0234 to schedule an Omcan authorized service technician to repair the equipment locally.

Unauthorized maintenance will void the warranty. Warranty covers electrical and part failures, not improper use.

Please see <https://omcan.com/disclaimer> for complete info.

### WARNING:

The packaging components are classified as normal solid urban waste and can therefore be disposed of without difficulty.

In any case, for suitable recycling, we suggest disposing of the products separately (differentiated waste) according to the current norms.

**DO NOT DISCARD ANY PACKAGING MATERIALS IN THE ENVIRONMENT!**

# Technical Specifications

Model	MS-IT-0250-M	MS-IT-0300-M	MS-IT-0350-M	MS-IT-0370-M
Blade Size	10" / 250mm	12" / 300mm	14" / 350mm	14.6" / 370mm
Cutting Size	7.3" x 5.9" 185 x 150mm	9" x 7.5" 229 x 191mm	10.6" x 9.4" 270 x 240mm	10.6" x 9.8" 270 x 250mm
Cut Thickness	0" - 0.08" / 0 - 2mm		0" - 0.1" / 0 - 2.5mm	
Weight	72.6 lbs. / 33 kgs.	100 lbs. / 45 kgs.	178 lbs. / 80.7 kgs.	
Packaging Weight	124 lbs. / 56 kgs.	169 lbs. / 76.7 kgs.	198 lbs. / 90 kgs.	
Packaging Dimensions	30" x 30" x 27" / 762 x 762 x 686mm		37" x 33" x 38" / 940 x 838 x 965mm	
Item Number	20013	13634	13639	18830

# Installation

---

## UNPACKING

When transporting the slicer, ensure that the packaging is fully intact; if this is not the case, please advise the courier or local dealer immediately. In order to remove the slicer from the packaging, please proceed as follows:

- Cut and remove the plastic bands.
- Open the box and take out the instruction booklet.
- Proceed as described below:
  - Remove the protective cardboard covers from inside the box.
  - Lift the machine with care and place on a solid surface.
  - Remove the plastic bag in which the slicer is wrapped.
  - Check that all components and this instruction booklet are present and fully intact.

Should any faults be noted, such as:

- Dents to the frame or guards.
- Controls that are either not working or broken.
- Missing items or other problems.

Please advise the courier, manufacturer and service centre immediately.

Carefully dispose of packaging components (bands, cardboard, polystyrene, polyethylene bags, etc.).

*Packaging components (bands, cardboard, polyethylene, etc.) can be treated as municipal solid waste and therefore disposed of without any problem. In any event, it is preferable to sort products prior to disposal in accordance with current recycling regulations.*

**DO NOT DUMP PACKAGING! DISPOSE OF WASTE RESPONSIBLY!**

## DESCRIPTION OF THE SLICER

1. Slice receiving surface.
2. Slice deflector.
3. Pusher.
4. Sliding product holder.
5. Carriage.
6. Flywheel operating handle.
7. Flywheel.
8. Base.
9. Blade guard.
10. Pusher vertical slide lever.
11. Sliding product holder fast forward lever.
12. Sliding product holder operating handwheel.
13. Slice thickness control graduated knob.
14. Blade cover.
15. Supporting foot.
16. Blade.



# Installation

---

- 17. Sharpener and cover.
- 18. Grease collection pan.
- 19. Blade drive chain.
- 20. Bevel gear.

## INSTALLING THE SLICER

**Position the slicer in its allocated workplace.**

### **Use of stand (optional) (Fig. 4)**

If using the optional stand, it should be positioned on the floor whilst checking that it is level and that all three feet are resting correctly on the ground. Carefully lift the slicer and position it on the stand.

**Ensure that all slicer feet are resting correctly on top of the stand.**

### **Positioning the slicer (Fig. 5)**

If not using the optional stand, carefully lift the slicer and position on a level surface that is dry and capable of supporting the weight of both the slicer and the product to be sliced (see “Technical specifications”).

*Ensure that there are no obstructions to the movement of the flywheel, carriage stroke and loading of the product to be sliced.*

**Ensure that all slicer feet are resting correctly on the work surface.**

# Operation

---

## DESCRIPTION OF CONTROLS

### **Flywheel**

Clockwise rotation of the flywheel (Fig. 2, #7) using the handle (Fig. 2, #6) will move the carriage (Fig. 2, #5) with product holder (Fig. 2, #4), while turning the blade (Fig. 2, #16) at the same time.

### **Slice thickness control knob**

Turn the knob (Fig. 2, #13) clockwise in order to obtain a thicker slice or counterclockwise for a thinner one. The knob (Fig. 2, #13) has a graduated scale ranging from “0” to “8” (thickness 2 mm).

### **Sliding product holder operating handwheel**

The handwheel (Fig. 2, #12) allows you move the product holder (Fig. 2, #4) towards or away from the blade (Fig. 2, #16).

It can also be used to make slight movements of the product holder (Fig. 2, #4).

# Operation

---

## Sliding product holder faster with lever

By lowering and holding in position the lever (Fig. 11, #11) you can quickly move the product holder (Fig. 11, #4) towards or away from the blade (Fig. 11, #16) (with product).

*The operation is quicker than when using the handwheel (Fig. 11, #12).*

## Pusher vertical slide lever

By keeping pressed the lower button (Fig. 11, #10a) for the vertical slide lever (Fig. 11, #10) you can quickly raise or lower the pusher (Fig. 11, #3).

## USING THE SLICER

### WARNING:

- **DO NOT** use the slicer if not fully physically and mentally capable.
- **DO NOT** allow anyone to come near or touch the slicer while in operation.
- **Be extremely careful when loading/unloading the product from the product holder and when slicing.**

### PAY ATTENTION AT ALL TIMES!

## PLACING PRODUCT ON PRODUCT HOLDER

- Turn the flywheel (Fig. 12, #7) in order to move the carriage (Fig. 12, #5) to its forward limit (towards the operator).
- Move the product holder (Fig. 13, #4) the farthest it can go from the blade using either the handwheel (Fig. 13, #12) or the fast forward lever (Fig. 13, #11).
- Position the product to be sliced on the product holder (Fig. 14a, #4) and hold in place with the pusher (Fig. 14a, #3) (so that it is fixed), whilst adjusting the height.

*Failure to hold the product firmly in place on the product holder could cause the machine to cut uneven slices.*

- Turn the knob (Fig. 14b, #13) in order to set the required slice thickness.
- Bring the product holder (Fig. 15, #4) (with the product) back from its limit of travel (towards the blade) using either the handwheel (Fig. 15, #12) or the fast forward lever (Fig. 15, #11).

*Draw the product holder (Fig. 15, #4) closer to the blade leaving a space between the product to be sliced and the blade of 0.5 cm to 1.0 cm.*

## SLICING THE PRODUCT

- Move the blade guard (Fig. 16, #9) away from its seat by loosening the knob (Fig. 16, #9a) lifting up and placing on the flange away from the blade, remember to tighten the knob after moving the guard.

### WARNING:

**Exercise great caution if the blade guard (Fig. 16, #9) is not fitted; the blade (Fig. 16, #16) is extremely sharp.**

# Operation

---

- Hold the handle (Fig. 17, #6) and turn the flywheel (Fig. 17, #7) clockwise in order to begin blade rotation and the alternating movement of the product holder (Fig. 17, #4).

**DO NOT turn the flywheel (Fig. 2, #7) counterclockwise. Serious damage to the slicer could be caused.**

- Turn the flywheel (Fig. 2, #7) 4 to 5 times so the product touches the blade (Fig. 2, #16).
- While the carriage (Fig. 2, #5) moves forward (away from the operator), the blade (Fig. 2, #16) enters the product. Guided by the deflector (Fig. 2, #2), a slice is cut and drops onto the slice receiving surface (Fig. 2, #1).
- As the carriage (Fig. 2, #5) returns (towards the operator), the product holder (Fig. 2, #4) moves sideways towards the blade (Fig. 2, #16). The amount of sideways movement is set by using the slice thickness control knob (Fig. 2, #13).
- Stop turning the flywheel (7) once the operation is complete; the blade will stop its movement (16).
- Move the product holder (Fig. 2, #4) (with the remaining product) away from the blade (Fig. 2, #16) using either the handwheel (Fig. 18, #12) or the fast forward lever (Fig. 18, #11).
- Reposition the blade guard (Fig. 13, #9) by tightening the knob (Fig. 13, #9a).

**WARNING:**

**Do not leave the slicer without the blade guard (Fig. 19, #9) in the correct position. This is hazardous to the operator!**

- Press the two buttons (Fig. 20, #10a) while lifting the pusher (Fig. 20, #3).
- Remove the product from the table (Fig. 2, #4).
- Clean the slicer as described in the “Maintenance” section.

# Maintenance

---

## CLEANING THE SLICER

*The slicer MUST be cleaned thoroughly at least once a day and more frequently where necessary. Clean the slicer before use of it or if it has been out of service for a prolonged period of time.*

**WARNING: Cutting hazard! Use protective cut- and tear-resistant gloves and perform all operations with extreme care. PAY ATTENTION AT ALL TIMES!**

- Remove the receiving tray (Fig. 21, #18).
- Unscrew knob (Fig. 22, #34) and lift the sliding product holder (Fig. 22, #4) complete with pusher arm (Fig. 22, #3).
- Clean all dismantled parts and the machine body just hot water (at a temperature of not less than 30°C) and a frothy biodegradable dishwasher detergent. Use a soft spongy cloth and, if necessary, a nylon brush for the spiked areas of the product holder (Fig. 2, #4) and pusher (Fig. 2, #3).
- Rinse in hot water only and dry with soft spongy cloths.

# Maintenance

---

**WARNING: DO NOT** clean the machine with water jets, steam or similar methods or in dishwashers using corrosive detergents.

*The base (Fig. 2, #8) and painted parts can be cleaned with a soft cloth avoiding the use of abrasive detergents.*

- Reposition the product holder (Fig. 22, #4) ensuring that the catch (Fig. 23, #35) engages the carriage (Fig. 23, #5).
- Secure the product holder (Fig. 23, #4) to the carriage (Fig. 23, #5) by tightening the knob (Fig. 23, #34).

## CLEANING THE BLADE

**WARNING: Cutting hazard! Use protective cut- and tear-resistant gloves and perform all operations with extreme care. PAY ATTENTION AT ALL TIMES!**

- Press a damp cloth on the blade (Fig. 24, #16) and rub slowly moving from inside to out.

**WARNING: ALWAYS** clean the blade (Fig. 24, #16) with the blade guard (Fig. 24, #9) fitted behind it in the safety position.

## CLEANING THE BLADE COVER

**WARNING: Cutting hazard! Use protective cut- and tear-resistant gloves and perform all operations with extreme care. PAY ATTENTION AT ALL TIMES!**

- Damp a cloth in a solution of water and alcohol.
- Place the damp cloth between the blade cover (Fig. 25, #14) and blade (Fig. 25, #16).
- Take the two ends of the cloth between your hands and slide it along the blade cover (Fig. 25, #14).

**WARNING: ALWAYS** clean the blade (Fig. 2, #16) with the blade guard (Fig. 2, #9) fitted.

**Do not use detergents to clean the blade (Fig. 2, #16).**

## CLEANING THE SLICE RECEIVING SURFACE

- Remove the slice receiving surface (Fig. 26, #1) by loosening the two screws (Fig. 26, #1a) and releasing from the retaining clips (Fig. 26, #1b).
- Wash the tray with water and normal dishwasher detergent).

## ROUTINE MAINTENANCE

In addition to the above-mentioned cleaning operations, you should also perform routine maintenance in order to guarantee the slicer's operating efficiency over time. The operator may perform the following maintenance operations:

# Maintenance

---

- **Oiling carriage guide rail (Fig. 2, #5) and product holder (Fig. 2, #4) and lubrication points.**
  - Frequency: Weekly.
- **Oiling chain (Fig. 2, #19) and bevel gear (Fig. 2, #20).**
  - Frequency: Every 6 months.
- **Blade sharpening**
  - Sharpen the blade (Fig. 2, #16) periodically or at least once every 6 months.

*How often sharpening is necessary and how long it lasts depend on the type of use to which the slicer is put (operating times and processed product).*

Being particularly complicated and hazardous for the operator, other maintenance operations SHOULD only be performed by staff from an authorised service centre.

These operations are:

- Blade replacement.
- Sharpener grinding wheel replacement.
- Chain replacement.
- Repair of structural parts, repair and/or replacement of components located beneath the base.

## OILING CARRIAGE GUIDE RAIL AND PRODUCT HOLDER AND LUBRICATION POINTS

- Every week you should oil the carriage (Fig. 27, #5) and product holder (Fig. 27, #4) guide rails (Fig. 27, #36) using the supplied lubricant.
- Also oil the points indicated in figure 27.
- Remove the grease collection pan (Fig. 2, #18) and oil the nozzle (figure 29).

*If you run out of the supplied lubricant, use White Mineral Oil provided by Omcan (Item No. 39115).*

### **Do not use vegetable oil.**

- Apply a few drops of lubricant (maximum 3 or 4) to the guide rails and slide the assemblies back and forth 3/4 times.
- Apply 2/3 drops of lubricant to the lubrication points.

*Use the lubricant sparingly.*

- Wipe excess lubricant with a paper towel.
- Also oil the catches (Fig. 28, #10) of the pusher's (Fig. 28, #3) vertically sliding levers.
- Remove the spring-loaded guard (Fig. 28, #37).
- Apply 2/3 drops of lubricant.
- Slide the pusher (Fig. 28, #3) back and forth 3/4 times.
- Wipe excess lubricant with a paper towel.

# Maintenance

---

## BLADE SHARPENING

**WARNING: Cutting hazard - Use protective cut- and tear-resistant gloves and perform all operations with extreme care. PAY ATTENTION AT ALL TIMES!**

**WARNING: ALWAYS work with the blade guard (Fig. 2, #9) fitted properly.**

Proceed as follows:

- Loosen the knob (Fig. 30, #38) while holding the sharpener (Fig. 30, #17) in place.
- Lift the sharpener (Fig. 31, #17) and turn it 180°.
- Carefully lower the sharpener (Fig. 32, #17) again, the blade (Fig. 32, #16) will automatically be centred between the two grinding wheels.
- Tighten the knob (Fig. 33, #38).
- Turn the flywheel (Fig. 2, #7) while pressing the “X” button and perform about 20 to 30 blade revolutions.
- Stop rotating and check that a slight burr has formed on the blade edge.
- Turn the flywheel (Fig. 2, #7) again while pressing the “K” button and perform 1 or 2 blade revolutions.

*For safety reasons do not exceed 1 or 2 blade revolutions in order to prevent the blade edge from springing back.*

- Return the sharpener to its original position.

## OILING THE CHAIN AND GEAR

Every 6 months proceed as follows:

- Lift the slicer and apply 3 to 4 drops of the supplied lubricant to the chain (Fig. 2, #19) and gears (Fig. 2, #20).

*If you run out of the supplied lubricant, use White Mineral Oil provided by Omcan (Item No. 39115).*

**Do not use vegetable oil.**

*Use the lubricant lightly.*

- Wipe excess lubricant with a paper towel.

## TAKING THE SLICER OUT OF SERVICE

A machine comprises:

- Aluminium-alloy frame.
- Stainless-steel inserts and components.
- Plastics.

# Maintenance

When commissioning third parties to perform dismantling and demolition, only businesses authorised to dispose of these materials should be employed.

When demolishing without outside assistance, sort the various types of material and hand over to authorised businesses for disposal.

*ALWAYS comply with the current legislation of the country in which the slicer is used.*

**WARNING: ALWAYS consult Omcan as regards to removal and disposal of the blade (Fig. 2, #16) so that disposal can take place in complete safety.**

**DO NOT DUMP SCRAP COMPONENTS AS THEY REPRESENT A SERIOUS ENVIRONMENTAL HAZARDS, PARTICULARLY FOR CHILDREN AND ANIMALS.**

# Troubleshooting

PROBLEM	PROBABLE CAUSE	SOLUTION
Difficulty in slicing; excessive resistance when the product is in contact with the blade.	The blade is blunt.	Sharpen the blade.
Slices are of irregular thickness.	The pusher fails to retain the product correctly.	Reposition the pusher in order to retain the product correctly.
	The blade is blunt.	Sharpen the blade.
Slices come out as “doorsteps”.	The pusher fails to retain the product correctly.	Reposition the pusher in order to retain the product correctly.
	The blade is blunt.	Sharpen the blade.
Slices are empty in the middle.	The product is too soft (not mature enough).	Press the pusher harder.
	The blade is blunt.	Sharpen the blade.
Slices disintegrate into several pieces; they are not sliced cleanly.	Worn blade.	Replace the blade.

# Instructions Français

---

## SÉCURITÉ ET GARANTIE

### AVERTISSEMENTS UTILISATEUR

Vérifier l'intégrité mécanique de la trancheuse avant chaque utilisation. Les composants doivent montrer aucun signe de dommages ou fissures. Si cela est pas le cas, **NE PAS** utiliser la trancheuse et le prendre à un centre de service autorisé de sorte que les vérifications nécessaires peuvent être effectuées.

**La trancheuse est pas conçu pour être utilisé par des personnes (y compris les enfants) ayant des difficultés physiques, sensorielles ou mentales moins d'être surveillées ou formés par des personnes responsables de leur sécurité.**

**Les enfants et les jeunes doivent être surveillés afin qu'ils ne jouent pas avec la trancheuse.**

**La lame est très forte et doit être manipulé avec un soin extrême.**

*Ne pas endommager le disque en coupant des objets durs tels que les os.*

L'utilisation sécuritaire exige le respect des avertissements suivants:

- Installez la machine conformément aux instructions données dans la section «Installation».
- Installez la machine dans une zone qui ne peut pas être accessible à des personnes non formées et les enfants.

### **L'utilisation de la machine nécessite toute l'attention. ATTENTION EN TOUT TEMPS!**

Ne portez pas de vêtements amples en particulier avec des manches ouvertes; où l'utilisation nécessaire de coiffures approprié pour retenir les cheveux.

- Lorsque trancher, ne permettent pas qu'on touche à la trancheuse, en particulier la lame.
- Ne retirez pas, la couverture ou de modifier les plaques signalétiques montés sur le corps de la machine et assurer leur remplacement rapide en cas de dommages.

### **Ne pas retirer les dispositifs de sécurité et ne pas modifier ou supprimer les gardes de sécurité.**

- Types de produits Seulement approuvés devraient être tranchés, ne pas essayer de couper des produits qui sont spécifiquement exclus.
- Veiller à ce que le détenteur du produit, bac de réception, les zones environnantes et le plancher sont propres et secs en tout temps.
- Ne pas utiliser la trancheuse de surface d'appui ou de poser un objet sur ce qui ne permettra pas opérations de tranchage normales.
- Arrêter immédiatement la machine et de demander l'assistance du personnel autorisé de support technique en cas de dysfonctionnement, soupçonné de rupture, les mouvements inappropriés, des bruits étranges, etc.

**Toujours utiliser des gants de coupe et résistant à la déchirure lors de l'exécution nettoyage et l'entretien.**



# Instructions Français

---

Le produit à trancher ne doit être placé sur et retiré du chariot d'avance lorsque celui-ci est complètement rentré (le plus éloigné de la lame) et le chariot la plus proche de l'opérateur.

**NE PAS utiliser des accessoires qui ne sont pas fournis par Omcan trancher.**

S'il vous plaît contacter le Omcan ou un centre de service autorisé pour toutes les opérations d'entretien extraordinaire (la chaîne, le remplacement de la lame, etc.).

## UTILISATION DE LA COUPE CORRECTEMENT

La trancheuse est uniquement conçu pour couper l'alimentation du type et de la taille spécifiée ici.

**Omcan décline toute responsabilité pour une utilisation inappropriée ou une utilisation par le personnel qui ont échoué à lire et à comprendre entièrement le contenu de ce manuel; faire soi-même des modifications et / ou des réparations; utilisation de pièces détachées qui ne sont pas d'origine ou non spécifiquement conçus pour le modèle de trancheuse couverte par ce mode d'emploi.**

**Les produits suivants peuvent être tranchés:**

- Tous les types de charcuterie (jambon cru et cuit, lard).
- Les viandes désossées (cuites ou crues à une température de pas moins de + 3°C).

**Les produits suivants ne peuvent pas être tranchés car ils sont susceptibles de causer un préjudice grave à l'utilisateur et / ou la trancheuse soi:**

- Des surgelés.
- Produits surgelés.
- Alimentation avec os (viande et poisson).
- Du fromage.
- Tout autre type de produit qui est capable d'être tranché, mais ne vise pas à être mangé.

**En aucun cas vous ne devez tenter de trancher tous les produits énumérés ci-dessus.**

## GARANTIE ET RESPONSABILITÉ DU FABRICANT

- La trancheuse est couvert par la garantie indiqué dans le certificat joint.
- La garantie garantit que la trancheuse est de qualité marchande et adapté à sa destination est soumise à corriger l'application des dispositions contenues dans les présentes.

**Omcan décline toute responsabilité directe ou indirecte découlant de:**

- Défaut de se conformer aux instructions données dans ce manuel.
- Utilisez par le personnel qui ont échoué à lire et à comprendre entièrement le contenu de ce manuel.
- Utilisation qui ne respecte pas la réglementation en vigueur spécificités du droit local.
- Modifications et / ou des réparations à la machine effectuées sans autorisation préalable.
- L'utilisation d'accessoires non fournis par Omcan et pièces détachées non originales.

*Lors du transfert de la propriété de la trancheuse, le défaut de remettre ce guide au nouveau propriétaire doit exempter automatiquement Omcan de toute responsabilité.*

# ***Instructions Français***

---

La trancheuse mentionnés dans le présent livret d'instructions est conçu et fabriqué selon les normes actuelles avec le marquage CE attestant cette conformité. En particulier, la trancheuse est conforme à la norme EN 1974 (pour les besoins jugés applicable).

La plaque signalétique se trouve sur la base de la trancheuse comme le montre la fig.1.

*La plaque signalétique doit PAS être retiré et doit rester lisible en tout temps. En cas de dommage ou d'usure, l'utilisateur a le devoir de contacter Omcan et obtenir un remplacement.*

**UTILISATEURS RÉSIDENTIELS:** Le fournisseur n'assume aucune responsabilité pour la couverture des pièces ou de la main-d'œuvre en cas de défaillance des composants ou d'autres dommages résultant de l'installation dans des applications non commerciales ou résidentielles. Le droit est réservé de refuser l'expédition pour un usage résidentiel; si cela se produit, vous en serez informé dès que possible.

## **1 AN PIÈCES ET GARANTIE DU TRAVAIL**

Dans la période de garantie, contacter Omcan Inc. au 1-800-465-0234 pour planifier une Omcan technicien autorisé à réparer l'équipement localement.

Entretien non autorisée annulera la garantie. La garantie couvre les pannes électriques et de pièces, pas une mauvaise utilisation.

Veillez consulter <https://omcan.com/disclaimer> pour des informations complètes.

### **ATTENTION:**

Les matériaux d'emballage sont considérés comme des déchets solides urbains normale et peuvent donc être éliminés sans difficulté.

**En tout cas, pour le recyclage approprié, nous suggérons au rebut des produits séparément (différenciée des déchets) selon les normes actuelles.**

**NE PAS JETER MATÉRIAUX D'EMBALLAGE DANS L'ENVIRONNEMENT!**

# Instructions Français

## SPÉCIFICATIONS TECHNIQUES

Modèle	MS-IT-0250-M	MS-IT-0300-M	MS-IT-0350-M	MS-IT-0370-M
Diamètre de lame	10" / 250mm	12" / 300mm	14" / 350mm	14.6" / 370mm
Taille de coupe	7.3" x 5.9" 185 x 150mm	9" x 7.5" 229 x 191mm	10.6" x 9.4" 270 x 240mm	10.6" x 9.8" 270 x 250mm
Épaisseur Slice	0" - 0.08" / 0 - 2mm		0" - 0.1" / 0 - 2.5mm	
Slicer Poids	72.6 lbs. / 33 kgs.	100 lbs. / 45 kgs.	178 lbs. / 80.7 kgs.	
Poids de l'emballage	124 lbs. / 56 kgs.	169 lbs. / 76.7 kgs.	198 lbs. / 90 kgs.	
Dimensions de l'emballage	30" x 30" x 27" / 762 x 762 x 686mm		37" x 33" x 38" / 940 x 838 x 965mm	
Numéro d'article	20013	13634	13639	18830

## INSTALLATION

### DÉBALLAGE

Lors du transport de la trancheuse, veiller à ce que l'emballage est intact; si cela est pas le cas, s'il vous plaît aviser le service de messagerie ou revendeur local immédiatement. Afin d'éliminer la trancheuse de l'emballage, s'il vous plaît procéder comme suit:

- Couper et enlever les bandes de plastique.
- Ouvrez la boîte et retirer le livret d'instructions.
- Procédez comme décrit ci-dessous:
  - Retirez les housses de protection en carton de l'intérieur de la boîte.
  - Lever la machine avec soin et le placer sur une surface solide.
  - Retirer le sac en plastique dans lequel la trancheuse est enveloppé.
  - Vérifier que tous les composants et ce livret d'instruction sont présentes et entièrement intacte.

Si des défauts sont à noter, tels que:

- Dents au cadre ou gardes.
- Les contrôles qui sont soit ne fonctionne pas ou cassés.
- Articles ou d'autres problèmes manquant.

S'il vous plaît aviser immédiatement le centre courrier, le fabricant et le service.

Déposez soigneusement les composants de l'emballage (bandes, carton, polystyrène, sacs de polyéthylène, etc.).

*Les composants d'emballages (bandes, carton, polyéthylène, etc.) peuvent être traités comme des déchets solides municipaux et donc éliminés sans aucun problème. Dans tous les cas, il est préférable de trier les produits avant leur élimination conformément aux règlements actuels de recyclage.*

**NE JETEZ PAS EMBALLAGE! ELIMINER LES DÉCHETS RESPONSABLE!**

# Instructions Français

---

## DESCRIPTION DE LA MACHINE

1. Slice surface de réception.
2. Déflecteur Slice.
3. Pusher.
4. Coulissante support de produit.
5. Le chariot.
6. Poignée de manoeuvre du volant.
7. Volant.
8. Base.
9. Protecteur de lame.
10. Levier coulissant vertical Pusher.
11. Coulissante support de produit de levier vers l'avant rapidement.
12. Coulissante support de produit exploitation volant.
13. Slice contrôle de l'épaisseur bouton gradué.
14. Couvercle Blade.
15. Pied d'appui.
16. Blade.
17. Taille-crayon et le couvercle.
18. Pan de collecte de graisse.
19. Chaîne d'entraînement de la lame.
20. Engrenage conique.

## INSTALLATION DE LA COUPE

**Placez la trancheuse dans son lieu de travail alloué.**

### **Utilisation du support (facultatif) (Fig. 4)**

Si l'on utilise le support en option, il doit être placé sur le sol tout en vérifiant qu'il est de niveau et que les trois pieds sont correctement en appui sur le sol. Soulevez délicatement la trancheuse et le positionner sur le stand.

**Veiller à ce que tous les pieds de slicer reposent correctement sur le dessus de la cage.**

### **Positionnement de la trancheuse (Fig. 5)**

Si ne pas utiliser le support en option, soulevez délicatement la trancheuse et la position sur une surface plane qui est sec et capable de supporter le poids de la trancheuse à la fois et le produit à trancher (voir «Spécifications techniques»).

*Vérifiez qu'il n'y a pas d'obstacles à la circulation du volant, course du chariot et le chargement du produit à être tranchés.*

**Veiller à ce que tous les pieds de slicer reposent correctement sur la surface de travail.**

# Instructions Français

## OPÉRATION

### DESCRIPTION DES COMMANDES

#### Volant

Rotation vers la droite du volant (Fig. 2, n ° 7) à l'aide de la poignée (fig. 2, n ° 6) se déplace le chariot (Fig. 2, n ° 5) avec le support de produit (Fig. 2, n ° 4), tout en tournant la lame (Fig. 2, n ° 16) en même temps.

#### Bouton tranche de contrôle de l'épaisseur

Tournez le bouton (Fig. 2, n ° 13) dans le sens horaire afin d'obtenir une tranche épaisse ou antihoraire pour une plus mince. Le bouton (Fig. 2, n ° 13) a une échelle graduée allant de «0» à «8» (épaisseur 2 mm).

#### Produit coulissant exploitation de titulaire volant

Le volant (fig. 2, n ° 12) vous permet de déplacer le support du produit (Fig. 2, n ° 4) vers ou loin de la lame (Fig. 2, n ° 16). Il peut également être utilisé pour faire de petits mouvements du support de produit (Fig. 2, n ° 4).

#### Coulissante support de produit plus rapide avec levier

En abaissant et le maintien en position du levier (Fig. 11, n ° 11) Vous pouvez déplacer rapidement le support de produit (fig. 11, n ° 4) vers ou loin de la lame (Fig. 11, n ° 16) (avec le produit).

*L'opération est plus rapide que lors de l'utilisation du volant (fig. 11, n ° 12).*

#### Levier coulissant vertical Pusher

En gardant enfoncé le bouton inférieur (Fig. 11, # 10a) pour le levier vertical coulissant (Fig. 11, n ° 10), vous pouvez rapidement augmenter ou diminuer le poussoir (Fig. 11, n ° 3).

## UTILISATION DE LA COUPE

### ATTENTION:

- **NE PAS utiliser la trancheuse si pas totalement physiquement et mentalement capable.**
- **NE PAS permettre à quiconque d'approcher ou de toucher la trancheuse en fonctionnement.**
- **Soyez extrêmement prudent lors du chargement / déchargement du produit du détenteur du produit et lors du tranchage.**

### ATTENTION EN TOUT TEMPS!

## PLAÇANT LE PRODUIT SUR LE SUPPORT DE PRODUIT

- Tourner le volant (fig. 12, n ° 7), afin de déplacer le chariot (Fig. 12, n ° 5) à sa limite avant (vers l'opérateur).
- Déplacez le support de produit (fig. 13, n ° 4) le plus loin qu'il peut aller de la lame en utilisant soit le volant (Fig. 13, n ° 12) ou le levier vers l'avant rapide (Fig. 13, n ° 11).
- Positionner le produit à trancher sur le support de produit (Fig. 14a, # 4) et maintenir en place avec le poussoir (Fig. 14a, # 3) (de sorte qu'il est fixe), tandis que le réglage en hauteur.

# Instructions Français

---

*Défaut de tenir le produit fermement en place sur le support du produit pourrait provoquer la machine à couper des tranches inégales.*

- Tournez le bouton (Fig. 14b, n ° 13) dans le but de définir l'épaisseur de la tranche nécessaire.
- Apportez le support du produit (Fig. 15, n ° 4) (avec le produit) de retour de sa limite de Voyage (vers la lame) en utilisant soit le volant (Fig. 15, n ° 12) ou le levier vers l'avant rapide (Fig. 15, # 11).

*Tirer le support de produit (Fig. 15, n ° 4) plus proche de la lame en laissant un espace entre le produit à trancher et la lame de 0,5 cm à 1,0 cm.*

## TRANCHAGE LE PRODUIT

- Le protecteur de lame (Fig. 16, #9) abandonner son siège en desserrant le bouton (Fig. 16, 9 a) soulevant et mise sur la bride de la lame. N'oubliez pas de serrer le bouton après avoir déménagé de la garde.

### ATTENTION:

**Exercer la plus grande prudence si le protège-lame (Fig 16, n ° 9.) Est pas équipé; la lame (Fig. 16, n ° 16) est extrêmement forte.**

- Maintenir la poignée (fig. 17, N ° 6) et tourner le volant (Fig. 17, N ° 7) dans le sens horaire afin de commencer la rotation de la lame et le mouvement alternatif du support de produit (Fig. 17, n ° 4).

**NE PAS tourner le volant (fig. 2, n ° 7) dans le sens antihoraire. De graves dommages à la trancheuse pourrait être causé.**

- Tourner le volant (fig. 2, n ° 7) 4 à 5 fois afin que le produit touche la lame (Fig. 2, n ° 16).
- Alors que le chariot (Fig. 2, n ° 5) se déplace vers l'avant (loin de l'opérateur), la lame (Fig. 2, n ° 16) pénètre dans le produit. Guidé par le déflecteur (Fig. 2, n ° 2), une tranche est coupée et tombe sur la surface de la tranche de réception (fig. 2, n ° 1).
- Comme le chariot (Fig. 2, n ° 5) rendements (vers l'opérateur), le détenteur du produit (Fig. 2, n ° 4) se déplace latéralement vers la lame (Fig. 2, n ° 16). La quantité de mouvement latéral est définie en utilisant le bouton tranche de contrôle de l'épaisseur (Fig. 2, n ° 13).
- Arrêter de tourner le volant (7) une fois l'opération est terminée; la lame arrêtera son mouvement (16).
- Déplacer le support de produit (Fig. 2, n ° 4) (avec le produit restant) de la lame (Fig. 2, n ° 16) en utilisant soit la commande manuelle (Fig. 18, n ° 12) ou le levier d'avance rapide (Fig. 18, n ° 11).
- Repositionner le protège-lame (Fig. 13, n ° 9) en serrant le bouton (Fig. 13, # 9a).

### ATTENTION:

**Ne laissez pas la trancheuse sans le protège-lame (Fig. 19, n ° 9) dans la position correcte. Ceci est dangereux pour l'opérateur!**

- Appuyez sur les deux boutons (Fig. 20, # 10a) tout en soulevant le poussoir (Fig. 20, n ° 3).
- Retirer le produit de la table (Fig. 2, n ° 4).
- Nettoyez la trancheuse comme décrit dans la section «Entretien».

# Instructions Français

## ENTRETIEN

### NETTOYAGE DE LA COUPE

*La trancheuse doivent être soigneusement nettoyés au moins une fois par jour et plus fréquemment, si nécessaire. Nettoyez la trancheuse avant l'utilisation de celui-ci ou si elle a été hors service pendant une période de temps prolongée.*

**AVERTISSEMENT: Risque de coupure! Utilisez CUT- protection et des gants résistant à la déchirure et à effectuer toutes les opérations avec un soin extrême. ATTENTION EN TOUT TEMPS!**

- Retirez le bac de réception (fig. 21, n ° 18).
- Dévissez le bouton (Fig. 22, n ° 34) et soulevez le support de produit de glissement (Fig. 22, n ° 4) avec bras de poussée (fig. 22, n ° 3).
- Nettoyez toutes les pièces démontées et le corps de la machine juste de l'eau chaude (à une température de moins 30 ° C) et un détergent pour lave-vaisselle biodégradable mousseuse. Utilisez un chiffon doux et spongieux, si nécessaire, une brosse en nylon pour les zones à pointes du détenteur du produit (Fig. 2, n ° 4) et le poussoir (Fig. 2, n ° 3).
- Rincer à l'eau chaude seulement et sec avec des chiffons souples spongieux.

**ATTENTION: NE PAS nettoyer la machine avec des jets d'eau, de vapeur ou de méthodes similaires ou au lave-vaisselle à l'aide de détergents corrosifs.**

*La base (Fig. 2, n ° 8) et les pièces peintes peuvent être nettoyées avec un chiffon doux en évitant l'utilisation de détergents abrasifs.*

- Repositionner le support de produit (fig. 22, n ° 4) veiller à ce que la prise (Fig. 23, n ° 35) engage le chariot (Fig. 23, n ° 5).
- Fixer le support de produit (Fig. 23, n ° 4) sur le chariot (Fig. 23, n ° 5) en serrant le bouton (Fig. 23, n ° 34).

### NETTOYAGE DE LA LAME

**AVERTISSEMENT: Risque de coupure! Utilisez CUT- protection et des gants résistant à la déchirure et à effectuer toutes les opérations avec un soin extrême. ATTENTION EN TOUT TEMPS!**

- Appuyez sur un chiffon humide sur la lame (Fig. 24, n ° 16) et frottez se déplaçant lentement de l'intérieur vers l'extérieur.

**AVERTISSEMENT: TOUJOURS nettoyer la lame (figure 24, de n ° 16.) Avec le protège-lame (Fig 24, n ° 9.) Monté derrière elle dans la position de sécurité.**

### NETTOYAGE DU COUVERCLE DE BLADE

**AVERTISSEMENT: Risque de coupure! Utilisez CUT- protection et des gants résistant à la déchirure et**

# Instructions Français

---

à effectuer toutes les opérations avec un soin extrême. **ATTENTION EN TOUT TEMPS!**

- Damp un chiffon dans une solution d'eau et d'alcool.
- Placez le chiffon humide entre le couvercle de la lame (Fig. 25, n ° 14) et la lame (Fig. 25, n ° 16).
- Prenez les deux extrémités du tissu entre vos mains et faites-le glisser le long de la couverture de la lame (Fig. 25, n ° 14).

**AVERTISSEMENT: TOUJOURS nettoyer la lame (Fig. 2, n ° 16) avec le protège-lame (Fig. 2, n ° 9) monté.**

**Ne pas utiliser de détergents pour nettoyer la lame (Fig. 2, n ° 16).**

## NETTOYAGE DE LA TRANCHE SURFACE DE RÉCEPTION

- Retirez la surface de la tranche de réception (fig. 26, n ° 1) en dévissant les deux vis (Fig. 26, # 1a) et en libérant des clips de fixation (Fig. 26, # 1b).
- Lavez le plateau avec de l'eau et du détergent pour lave-vaisselle).

## MAINTENANCE DE ROUTINE

En plus des opérations de nettoyage mentionnées ci-dessus, vous devez également effectuer l'entretien de routine afin de garantir l'efficacité opérationnelle de la trancheuse au fil du temps. L'opérateur peut effectuer les opérations de maintenance suivantes:

- **Huiler rail de guidage de chariot (Fig. 2, n ° 5) et le support de produit (Fig. 2, n ° 4) et les points de graissage.**
  - Fréquence: hebdomadaire.
- **Chaîne (Fig. 2, N ° 19) et l'engrenage conique (Fig. 2, N ° 20) huilage.**
  - Fréquence: Tous les 6 mois.
- **Affûtage de la lame.**
  - Aiguiser la lame (Fig. 2, n ° 16) périodiquement ou au moins une fois tous les 6 mois.

*Combien de fois l'affûtage est nécessaire et combien de temps il dure dépendent du type d'utilisation auquel la trancheuse est mis (temps de fonctionnement et produit transformé).*

Etant particulièrement compliqué et dangereux pour l'opérateur, d'autres opérations de maintenance ne doit être effectuée par le personnel d'un centre de service autorisé.

Ces opérations sont les suivantes:

- Le remplacement de la lame.
- Sharpener broyage de remplacement de roue.
- Le remplacement de la chaîne.
- Réparation de pièces de structure, de réparation et / ou le remplacement des composants situés sous la base.



# Instructions Français

## HUILAGE GUIDE DE CHARIOT RAIL ET SUPPORT DE PRODUIT ET POINTS DE LUBRIFICATION

- Chaque semaine, vous devez huiler du chariot (Fig. 27, n ° 5) et le support de produit (Fig. 27, n ° 4) des rails de guidage (Fig. 27, N ° 36) en utilisant le lubrifiant fourni.
- Également de l'huile aux points indiqués dans la figure 27.
- Retirer la casserole de récupération des graisses (Fig. 2, n ° 18) et de l'huile de la buse (figure 29).

*Si vous manquez de le lubrifiant fourni, utiliser de l'huile minérale blanche fournie par Omcan (Article n ° 39115).*

### Ne pas utiliser de l'huile végétale.

- Appliquez quelques gouttes de lubrifiant (maximum 3 ou 4) pour les rails de guidage et faites glisser les ensembles avant et en arrière 3/4 fois.
- Appliquer 2/3 gouttes de lubrifiant pour les points de lubrification.

*Utilisez le lubrifiant avec parcimonie.*

- Essuyez l'excès de lubrifiant avec une serviette en papier.
- Également de l'huile des captures (Fig. 28, N ° 10) de l'poussoir (Fig. 28, 3 de #) des leviers coulissant verticalement.
- Retirer la protection à ressort (Fig. 28, n ° 37).
- Appliquer 2/3 gouttes de lubrifiant.
- Faites glisser le poussoir (Fig. 28, # 3) avant et en arrière 3/4 fois.
- Essuyez l'excès de lubrifiant avec une serviette en papier.

## AFFÛTAGE

**ATTENTION: risque de coupe - Utilisation CUT- protection et des gants résistant à la déchirure et à effectuer toutes les opérations avec un soin extrême. ATTENTION EN TOUT TEMPS!**

**AVERTISSEMENT: toujours travailler avec le protège-lame (Fig. 2, n ° 9) monté correctement.**

Procédez comme suit:

- Desserrez le bouton (Fig. 30, n ° 38) tout en tenant le taille-crayon (Fig. 30, n ° 17) en place.
- Soulevez le taille-crayon (Fig. 31, n ° 17) et tourner à 180 °.
- Abaisser soigneusement le taille-crayon (Fig. 32, n ° 17) à nouveau, la lame (Fig. 32, n ° 16) sera automatiquement centrée entre les deux meules.
- Serrez le bouton (Fig. 33, n ° 38).
- Tourner le volant (fig. 2, n ° 7) tout en appuyant sur le bouton «X» et d'effectuer environ 20 à 30 tours de la lame.
- Arrêter de tourner et vérifiez que une légère bavure est formée sur le bord de la lame.
- Tourner le volant (fig. 2, n ° 7) à nouveau en appuyant sur la touche «K» et d'effectuer 1 ou 2 tours de la lame.

# Instructions Français

---

*Pour des raisons de sécurité ne dépassent pas 1 ou 2 tours de la lame afin d'éviter le bord de la lame de retour élastique.*

- Retourner l'affûteur à sa position initiale.

## HUILAGE LA CHAÎNE ET VITESSE

Tous les 6 mois, procéder comme suit:

- Soulevez la trancheuse et appliquer 3 à 4 gouttes du lubrifiant fourni à la chaîne (Fig. 2, n ° 19) et les pignons (Fig. 2, N ° 20).

*Si vous manquez de le lubrifiant fourni, utiliser de l'huile minérale blanche fournie par Omcan (Article n ° 39115).*

**Ne pas utiliser de l'huile végétale.**

*Utilisez le lubrifiant à la légère.*

Essuyez l'excès de lubrifiant avec une serviette en papier.

## PRENANT LA MACHINE HORS SERVICE

Une machine comprend:

- Châssis en alliage d'aluminium.
- Inserts en acier inoxydable et des composants.
- Plastics.

Lors de la mise tiers pour effectuer le démontage et la démolition, seules les entreprises autorisées à disposer de ces matériaux doivent être employées.

Lorsque la démolition sans aide extérieure, trier les différents types de matériel et de remettre aux entreprises autorisées pour l'élimination.

*Toujours respecter la législation en vigueur du pays dans lequel la trancheuse est utilisé.*

**Avertissement: consultez toujours Omcan en ce qui concerne à enlèvement et l'élimination de la lame (figure 2, de n ° 16.), De sorte que l'évacuation peut avoir lieu en toute sécurité.**

**NE JETEZ PAS DES COMPOSANTS REBUTÉS CAR ILS REPRÉSENTENT A RISQUES ENVIRONNEMENTAUX GRAVES, NOTAMMENT POUR ENFANTS ET DES ANIMAUX.**

# Instructions Français

## DÉPANNAGE

PROBLÈME	CAUSE PROBABLE	SOLUTION
Difficulté à trancher; une résistance excessive lorsque le produit est en contact avec la lame.	La lame est émoussée.	Aiguiser la lame.
Tranches sont d'épaisseur irrégulière.	Le poussoir ne parvient pas à conserver le produit correctement.	Repositionner le poussoir afin de conserver le produit correctement.
	La lame est émoussée.	Aiguiser la lame.
Tranches sortent comme des «portes».	Le poussoir ne parvient pas à conserver le produit correctement.	Repositionner le poussoir afin de conserver le produit correctement.
	La lame est émoussée.	Aiguiser la lame.
Tranches sont vides au milieu.	Le produit est trop mou (pas assez mature).	Appuyez sur le poussoir plus difficile.
	La lame est émoussée.	Aiguiser la lame.
Tranches désintègrent en plusieurs morceaux; ils ne sont pas tranchés proprement.	La lame est usée.	Remplacez la lame.

# Instrucciones en Español

## SEGURIDAD Y GARANTÍA

### ADVERTENCIAS DEL USUARIO

Compruebe la integridad mecánica de la máquina de cortar antes de cada uso. Los componentes deben mostrar signos de daños o grietas. Si este no es el caso, **NO UTILIZAR** la máquina de cortar y llevarlo a un centro de servicio autorizado para que los controles necesarios se pueden realizar.

**La cortadora no está diseñado para ser utilizado por personas (incluidos niños) con dificultades físicas, sensoriales o mentales, a menos supervisado o entrenados por personas responsables de su seguridad.**

**Los niños y jóvenes deben ser supervisados para que no jueguen con la máquina de cortar.**

**La hoja es muy fuerte y debe ser manejado con extremo cuidado.**

*No dañe la cuchilla cortando objetos duros como huesos.*

# Instrucciones en Español

---

Uso seguro exige el cumplimiento de las siguientes advertencias:

- Instalar la máquina de acuerdo con las instrucciones dadas en la sección “Instalación”.
- Instale la máquina en un área que no se puede acceder a las personas sin entrenamiento y niños.

**El uso de la máquina requiere toda la atención. PRESTE ATENCIÓN EN TODO MOMENTO!**

No use ropa suelta particularmente con mangas abiertas; donde el uso necesario tocados adecuada para mantener el cabello.

- Al cortar, no permita que nadie toque la máquina de cortar, sobre todo la cuchilla.
- No quite, cubierta o alterar las placas de características instalados en el cuerpo de la máquina y asegurar su inmediato reemplazo en caso de daños.

**No quite los dispositivos de seguridad y no alterar o eliminar los guardias de seguridad.**

- Tipos de producto Sólo aprobadas deben ser cortadas, no intente cortar productos que están específicamente excluidos.
- Asegúrese de que el titular del producto, bandeja de recepción, las áreas circundantes y el piso se mantengan limpios y secos en todo momento.
- No utilice la máquina de cortar como una superficie de soporte o poner otro objeto en ella que no permitirá que las operaciones normales de corte.
- Pare la máquina inmediatamente y solicitar la asistencia de personal autorizado de asistencia técnica en caso de mal funcionamiento, se sospecha rotura, movimientos indebidos, ruidos extraños, etc.

**Use siempre guantes de corte y resistentes a la rotura cuando se realiza la limpieza y el mantenimiento.**

El producto que se cortó sólo debe ser colocado en y se retira del carro de alimentación cuando éste está completamente retraída (más alejada de la hoja) y el carro más cercano al operador.

**NO utilice accesorios que no hayan sido suministrados por Omcan rebanar.**

Por favor, póngase en contacto con el Omcan o un centro autorizado de servicio para todas las operaciones de mantenimiento extraordinario (cadena, sustitución de la cuchilla, etc.).

## USO DEL SLICER CORRECTAMENTE

La máquina de cortar solamente está diseñado para cortar la alimentación del tipo y tamaño especificado en el presente documento.

**Omcan no acepta responsabilidad por el uso o uso indebido por parte del personal que no han leído y entendido el contenido de este manual en su totalidad; do-it-yourself alteraciones y / o reparaciones; uso de repuestos que no sean originales o no diseñados específicamente para el modelo de máquina de cortar cubierto por esta guía del usuario.**

# Instrucciones en Español

---

## Los siguientes productos pueden ser cortadas:

- Todos los tipos de embutidos (jamón crudo y cocido, tocino).
- Carne sin hueso (cocidas o crudas a una temperatura no inferior a + 3°C).

## Los siguientes productos no pueden ser cortadas, ya que son responsables de causar daños graves al usuario y / o la propia máquina de cortar:

- Alimentos congelados.
- Alimentos ultracongelados.
- Alimentos con huesos (carne y pescado).
- Queso.
- Cualquier otro tipo de producto que es capaz de ser cortado, pero no destinado a ser consumido.

**Bajo ninguna circunstancia se debe intentar cortar cualquier productos enumerados anteriormente.**

## GARANTÍA DEL FABRICANTE Y RESPONSABILIDAD

- La cortadora está cubierto por la garantía especificado en el certificado adjunto.
- La garantía garantiza que la máquina de cortar es de buena calidad comercial y aptos para el uso previsto, sujeto a la correcta aplicación de las disposiciones contenidas en el presente documento.

### Omcan aceptará ninguna responsabilidad directa o indirecta derivada de:

- El incumplimiento de las instrucciones dadas en este manual.
- Uso por el personal que no han leído y entendido el contenido de este manual completamente.
- Uso que no cumpla con la normativa vigente específicas de la legislación local.
- Las alteraciones y / o reparaciones a la máquina realizar sin autorización previa.
- El uso de accesorios no suministrados por Omcan y repuestos no originales.

*Al transferir la propiedad de la máquina de cortar, el no entregar esta guía para el nuevo propietario deberá eximir automáticamente Omcan de cualquier responsabilidad.*

La cortadora se menciona en este manual de instrucciones está diseñado y fabricado de acuerdo a las normas vigentes con la marca que confirma dicha conformidad CE. En particular, la máquina de cortar cumple con la norma EN 1974 (para los requisitos considerados aplicable).

La placa se coloca en la base de la máquina de cortar como se muestra en la fig.1.

*La placa no debe ser removido y debe seguir siendo legible en todo momento. En caso de daño o desgaste, el usuario tiene la obligación de ponerse en contacto con Omcan y obtener un reemplazo.*

**USUARIOS RESIDENCIALES:** El proveedor no asume ninguna responsabilidad por la cobertura de piezas o mano de obra por fallas de componentes u otros daños que resulten de la instalación en aplicaciones no comerciales o residenciales. Se reserva el derecho de negar el envío para uso residencial; si esto ocurre, se le notificará lo antes posible.

**1 AÑO PIEZAS Y GARANTÍA TRABAJO**

# Instrucciones en Español

Dentro del período de garantía, póngase en contacto Omcan Inc. al 1-800-465-0234 para programar una Omcan técnico autorizado para reparar el equipo local.

Mantenimiento no autorizada anulará la garantía. La garantía cubre los fallos eléctricos y piezas, no un uso inadecuado.

Consulte <https://omcan.com/disclaimer> para obtener información completa.

## ADVERTENCIA:

Los componentes del embalaje se clasifican como residuos sólidos urbanos normales y por lo tanto pueden ser eliminados sin dificultad.

En cualquier caso, para el reciclaje adecuado, le sugerimos disponer de los productos por separado (residuos diferenciada) de acuerdo con las normas vigentes.

**NO TIRAR LOS PRODUCTOS ENVASADO EN EL MEDIO AMBIENTE!**

## ESPECIFICACIONES TÉCNICAS

Modelo	MS-IT-0250-M	MS-IT-0300-M	MS-IT-0350-M	MS-IT-0370-M
Diámetro de la lámina	10" / 250mm	12" / 300mm	14" / 350mm	14.6" / 370mm
Tamaño de corte	7.3" x 5.9" 185 x 150mm	9" x 7.5" 229 x 191mm	10.6" x 9.4" 270 x 240mm	10.6" x 9.8" 270 x 250mm
Slice Espesor	0" - 0.08" / 0 - 2mm		0" - 0.1" / 0 - 2.5mm	
Slicer Peso	72.6 lbs. / 33 kgs.	100 lbs. / 45 kgs.	178 lbs. / 80.7 kgs.	
Peso del embalaje	124 lbs. / 56 kgs.	169 lbs. / 76.7 kgs.	198 lbs. / 90 kgs.	
Dimensiones del embalaje	30" x 30" x 27" / 762 x 762 x 686mm		37" x 33" x 38" / 940 x 838 x 965mm	
Número de artículo	20013	13634	13639	18830

## INSTALACIÓN

### DESEMBALAJE

Al transportar la máquina de cortar, asegúrese de que el envase es totalmente intacta; si este no es el caso, por favor avise al servicio de mensajería o distribuidor local inmediatamente. Con el fin de eliminar la máquina de cortar del embalaje, por favor haga lo siguiente:

- Corte y retire las bandas de plástico.
- Abra la caja y saque el folleto de instrucciones.
- Proceda como se describe a continuación:

# Instrucciones en Español

---

- Retirar las cubiertas de protección de cartón del interior de la caja.
- Levante la máquina con cuidado y colóquelo sobre una superficie sólida.
- Retire la bolsa de plástico en la que se envuelve la máquina de cortar.
- Comprobar que todos los componentes y este manual de instrucciones están presentes y completamente intacto.

Deberán tenerse en cuenta los fallos, tales como:

- Abolladuras en el marco o guardias.
- Los controles que o bien no están trabajando o rotos.
- Missing artículos u otros problemas.

Por favor avise inmediatamente al centro de servicio de mensajería, fabricante y servicio.

Deseche con cuidado los componentes del embalaje (bandas, cartón, poliestireno, bolsas de polietileno, etc.).

*Elementos del envase (bandas, cartón, polietileno, etc.) pueden ser tratados como residuos sólidos urbanos y por lo tanto eliminarse sin ningún problema. En cualquier caso, es preferible para ordenar los productos antes de su eliminación de acuerdo con las regulaciones actuales de reciclado.*

**NO ENVIAR ENVASADO! ELIMINAR LOS DESPERDICIOS RESPONSABLEMENTE!**

## DESCRIPCIÓN DE LA SLICER

1. Slice superficie receptora.
2. Deflector Slice.
3. Pusher.
4. Sliding titular de producto.
5. Transporte.
6. Manija de operación del volante.
7. Volante.
8. Base.
9. Protección de la cuchilla.
10. Palanca de deslizamiento vertical de Pusher.
11. Sliding titular producto palanca de avance rápido.
12. Sliding titular producto volante operativo.
13. Control del espesor de la rebanada mando graduó.
14. Cubierta de la cuchilla.
15. Apoyando a pie.
16. Blade.
17. Sacapuntas y cubierta.
18. Grasa bandeja de recogida.
19. Cadena de transmisión de la lámina.
20. Engranaje cónico.

# Instrucciones en Español

---

## INSTALACIÓN DEL SLICER

Coloque la máquina de cortar en su lugar de trabajo asignado.

### El uso de soporte (opcional) (Fig. 4)

Si se utiliza el soporte opcional, debe ser colocado en el suelo, mientras que la comprobación de que esté nivelado y que los tres pies están descansando correctamente en el suelo. Levante con cuidado la máquina de cortar y colocarlo en el soporte.

**Asegúrese de que todos los pies slicer están descansando correctamente en la parte superior del soporte.**

### Colocación de la máquina de cortar (Fig. 5)

Si no utiliza el soporte opcional, levante con cuidado la máquina de cortar y la posición sobre una superficie plana que está seco y capaz de soportar el peso tanto de la máquina de cortar y el producto a cortar (ver "Datos técnicos").

*Asegúrese de que no haya obstrucciones al movimiento del volante, carrera del carro y la carga del producto a rodajas.*

**Asegúrese de que todos los pies slicer están descansando correctamente en la superficie de trabajo.**

## OPERACIÓN

### DESCRIPCIÓN DE LOS MANDOS

#### Volante

La rotación en sentido horario del volante de inercia (Fig. 2, # 7) utilizando la palanca (Fig. 2, # 6) se moverá el carro (Fig. 2, # 5) con el sostenedor de producto (Fig. 2, # 4), mientras gira la cuchilla (Fig. 2, # 16) al mismo tiempo.

#### Perilla de control del grosor de corte

Girar el botón (Fig. 2, # 13) en sentido horario con el fin de obtener una rebanada más gruesa o en sentido contrario para uno más fino.

La perilla (Fig. 2, No. 13) tiene una escala graduada que van desde "0" a "8" (espesor de 2 mm).

#### Producto deslizante volante operativo titular

El volante (Fig. 2, No. 12) le permite mover el soporte del producto (Fig. 2, # 4) hacia o lejos de la hoja (Fig. 2, No. 16).

También puede ser utilizado para hacer ligeros movimientos del soporte de producto (Fig. 2, # 4).

#### Sliding titular de producto más rápido con la palanca

Al reducir y mantener en la posición de la palanca (Fig. 11, # 11) se puede mover rápidamente el soporte de producto (Fig. 11, No. 4) hacia o lejos de la hoja (Fig. 11, # 16) (con el producto).



# Instrucciones en Español

*La operación es más rápida que cuando se utiliza el volante (Fig. 11, # 12).*

## **Palanca de deslizamiento vertical de Pusher**

Al mantener presionado el botón inferior (Fig. 11, # 10a) para la palanca vertical de deslizamiento (Fig. 11, # 10) se puede subir o bajar el empujador rápidamente (Fig. 11, No. 3).

## **USO DEL SLICER**

### **ADVERTENCIA:**

- **NO use la máquina de cortar si no es totalmente física y mentalmente capaz.**
- **No permita que nadie se acerque o toque la máquina de cortar mientras está en funcionamiento.**
- **Tenga mucho cuidado cuando se carga / descarga el producto desde el soporte de producto y cuando rebanar.**

### **PRESTE ATENCIÓN EN TODO MOMENTO!**

## **COLOCACIÓN DE PRODUCTOS DE TITULAR DE PRODUCTOS**

- Girar el volante (Fig. 12, # 7) con el fin de mover el carro (Fig. 12, # 5) a su límite hacia delante (hacia el operador).
- Mueva el soporte del producto (Fig. 13, No. 4) el más lejano que puede ir desde la hoja utilizando el volante (Fig. 13, # 12) o la palanca de avance rápido (Fig. 13, # 11).
- Coloque el producto a ser cortado en el soporte del producto (Fig. 14a, # 4) y mantenga en su lugar con el empujador (Fig. 14a, # 3) (por lo que es fijo), mientras que el ajuste de la altura.

*El no mantener firmemente el producto en su lugar en el soporte de producto podría provocar que la máquina de cortar rodajas desiguales.*

- Gire la perilla (Fig. 14b, # 13) con el fin de establecer el grosor de corte requerida.
- Llevar el soporte del producto (Fig. 15, No. 4) (con el producto) de vuelta de su límite de desplazamiento (hacia la cuchilla) utilizando el volante (Fig. 15, # 12) o la palanca de avance rápido (Fig. 15, # 11).

*Dibuje el soporte de producto (Fig. 15, # 4) más cerca de la cuchilla dejando un espacio entre el producto a ser cortado en lonchas y la hoja de 0,5 cm a 1,0 cm.*

## **CORTANDO EL PRODUCTO**

- Mueva el protector de la cuchilla (Fig. 16, #9) aflojando la perilla (Fig. 16, #9a) levantando y colocando la brida lejos de la cuchilla, recuerde apretar la perilla después de mover la protección.

### **ADVERTENCIA:**

**Tenga mucho cuidado si el protector de la hoja (Fig 16, # 9.) Está provistos; la hoja (Fig. 16, # 16) es extremadamente agudo.**

- Mantenga el mango (Fig. 17, # 6) y girar el volante de inercia (Fig. 17, # 7) en sentido horario a fin de comenzar rotación de la cuchilla y el movimiento alterno del soporte de producto (Fig. 17, # 4).

# Instrucciones en Español

---

**NO gire el volante (Fig. 2, # 7) en sentido antihorario. Graves daños a la máquina de cortar podría ser causado.**

- Girar el volante (Fig. 2, # 7) 4 a 5 veces por lo que el producto entra en contacto la hoja (Fig. 2, # 16).
- Mientras que el carro (Fig. 2, # 5) se mueve hacia adelante (lejos del operador), la cuchilla (Fig. 2, # 16) entra en el producto. Guiado por el deflector (Fig. 2, # 2), una rebanada se corta y deja caer sobre la superficie de la rebanada de recepción (Fig. 2, # 1).
- A medida que el carro (Fig. 2, # 5) vuelve (hacia el operador), el titular producto (Fig. 2, # 4) se mueve lateralmente hacia la cuchilla (Fig. 2, # 16). La cantidad de movimiento lateral se ajusta con el mando de control de grosor de corte (Fig. 2, No. 13).
- Deje de girar el volante (7) una vez finalizada la operación; la hoja se detendrá su movimiento (16).
- Mueva el soporte de producto (Fig. 2, # 4) (con el producto restante) lejos de la hoja (Fig. 2, # 16) usando ya sea el volante (Fig. 18, # 12) o la palanca de avance rápido (Fig. 18, # 11).
- Vuelva a colocar el protector de la hoja (Fig. 13, nº 9) apretando el botón (Fig. 13, # 9a).

## **ADVERTENCIA:**

**No deje la máquina de cortar sin el protector de la hoja (Fig. 19, nº 9) en la posición correcta. Esto es peligroso para el operador!**

- Pulse los dos botones (Fig. 20, # 10a) mientras levanta el empujador (Fig. 20, No. 3).
- Retire el producto de la tabla (Fig. 2, No. 4).
- Limpie la máquina de cortar como se describe en la sección "Mantenimiento".

## **MANTENIMIENTO**

### **LIMPIEZA DEL SLICER**

*La cortadora debe limpiarse a fondo al menos una vez al día y con más frecuencia en caso necesario.*

*Limpie la máquina de cortar antes de su uso del mismo o si ha estado fuera de servicio durante un periodo prolongado de tiempo.*

**ADVERTENCIA: Riesgo de corte! Utilice corte y guantes de protección resistentes a la rotura y realizar todas las operaciones con extremo cuidado. PRESTE ATENCIÓN EN TODO MOMENTO!**

- Retire la bandeja de salida (Fig. 21, # 18).
- Desenrosque la perilla (Fig. 22, # 34) y levante el soporte de producto de deslizamiento (Fig. 22, No. 4) completa con el brazo empujador (Fig. 22, No. 3).
- Limpie todas las piezas desmontadas y el cuerpo de la máquina sólo agua caliente (a una temperatura no inferior a 30 ° C) y un detergente lavavajillas biodegradable espumosa. Utilice un paño suave y esponjoso, si es necesario, un cepillo de nylon para las áreas de puntas del soporte de producto (Fig. 2, # 4) y el empujador (Fig. 2, # 3).
- Enjuague con sólo agua caliente y seque con paños suaves esponjosas.

**ADVERTENCIA: NO limpie la máquina con chorros de agua, vapor o métodos similares o en lavavajillas utilizando detergentes corrosivos.**

# Instrucciones en Español

La base (Fig. 2, No. 8) y las piezas pintadas se puede limpiar con un paño suave y evitando el uso de detergentes abrasivos.

- Vuelva a colocar el soporte del producto (Fig. 22, No. 4) asegurar que la captura (Fig. 23, # 35) se acopla con el carro (Fig. 23, nº 5).
- Fije el soporte del producto (Fig. 23, No. 4) al carro (Fig. 23, nº 5) apretando el botón (Fig. 23, # 34).

## LIMPIEZA DE LA HOJA

**ADVERTENCIA: Riesgo de corte! Utilice corte y guantes de protección resistentes a la rotura y realizar todas las operaciones con extremo cuidado. PRESTE ATENCIÓN EN TODO MOMENTO!**

- Presione un paño húmedo en la hoja (Fig. 24, # 16) y frote lentamente en movimiento desde el interior hacia fuera.

**ADVERTENCIA: SIEMPRE limpiar la cuchilla (Figura 24, # 16.) Con el protector de la hoja (Fig 24, # 9.) Equipado detrás de él en la posición de seguridad.**

## LIMPIEZA DE LA CUBIERTA DE LA HOJA

**ADVERTENCIA: Riesgo de corte! Utilice corte y guantes de protección resistentes a la rotura y realizar todas las operaciones con extremo cuidado. PRESTE ATENCIÓN EN TODO MOMENTO!**

- Humedecer un paño en una solución de agua y alcohol.
- Coloque el paño húmedo entre la cubierta de hoja (Fig. 25, # 14) y la cuchilla (Fig. 25, # 16).
- Tomar los dos extremos de la tela entre sus manos y deslice a lo largo de la cubierta de la hoja (Fig. 25, # 14).

**ADVERTENCIA: SIEMPRE limpiar la hoja (Fig. 2, # 16) con el protector de la hoja (Fig. 2, No. 9) equipados.**

No utilice detergentes para limpiar la hoja (Fig. 2, No. 16).

## LIMPIEZA DE LA REBANADA SUPERFICIE RECEPTORA

- Retire la superficie de la rebanada de recepción (Fig. 26, No. 1) aflojando los dos tornillos (Fig. 26, # 1a) y la liberación de los clips de sujeción (Fig. 26, # 1b).
- Lave la bandeja con agua y detergente normal, lavavajillas).

## MANTENIMIENTO DE RUTINA

Además de las operaciones de limpieza antes mencionados, también se debe realizar el mantenimiento de rutina con el fin de garantizar la eficiencia de funcionamiento de la máquina de cortar el paso del tiempo. El operador puede realizar las siguientes operaciones de mantenimiento:

# Instrucciones en Español

---

- **Engrasar carril de guía de carro (Fig. 2, nº 5) y el soporte del producto (Fig. 2, # 4) y los puntos de lubricación.**
  - Frecuencia: semanal.
- **Engrasar la cadena (Fig. 2, # 19) y el engranaje cónico (Fig. 2, No. 20).**
  - Frecuencia: Cada 6 meses.
- **Afilan la cuchilla.**
  - Afilan la hoja (Fig. 2, No. 16) de forma periódica o por lo menos una vez cada 6 meses.

*¿Con qué frecuencia el afilado es necesario y cuánto tiempo dura depende del tipo de uso que la máquina de cortar se pone (tiempos de funcionamiento y producto procesado).*

Siendo particularmente complicado y peligroso para el operador, otras operaciones de mantenimiento sólo debe ser realizada por el personal de un centro de servicio autorizado.

Estas operaciones son:

- Reemplazo de la cuchilla.
- Sacapuntas molienda de reemplazo de la rueda.
- Reemplazo de la cadena.
- Reparación de partes estructurales, reparación y / o sustitución de los componentes situados debajo de la base.

## LUBRICACIÓN RAIL GUÍA DE TRANSPORTE Y TITULAR DE PRODUCTOS Y PUNTOS DE LUBRICACIÓN

- Cada semana usted debe de aceite del carro (Fig. 27, nº 5) y el soporte del producto (Fig. 27, No. 4) carriles de guía (Fig. 27, Nº 36) con el lubricante suministrado.
- Además del petróleo los puntos indicados en la figura 27.
- Retire la bandeja de recogida de grasa (Fig. 2, # 18) y el aceite de la boquilla (figura 29).

*Si te quedas sin el lubricante suministrado, utilice Aceite mineral blanco proporcionada por Omcan (Artículo Nº 39115).*

### No utilice aceite vegetal.

- Aplique unas gotas de lubricante (máximo 3 o 4) a los carriles de guía y deslice las asambleas de ida y vuelta 3/4 veces.
- Aplicar 2/3 gotas de lubricante a los puntos de lubricación.

*Use el lubricante con moderación.*

- Limpie el exceso de lubricante con una toalla de papel.
- Además del petróleo las capturas (Fig. 28, Nº 10) de del empujador (Fig. 28, No. 3) palancas deslizantes verticalmente.
- Retire el protector de resorte (Fig. 28, # 37).
- Aplicar 2/3 gotas de lubricante.

# Instrucciones en Español

---

- Deslice el empujador (Fig. 28, # 3) de ida y vuelta 3/4 veces.
- Limpie el exceso de lubricante con una toalla de papel.

## AFILADO DE LA HOJA

**ADVERTENCIA: Corte de peligro - Uso de corte y guantes de protección resistentes a la rotura y realizar todas las operaciones con extremo cuidado. PRESTE ATENCIÓN EN TODO MOMENTO!**

**ADVERTENCIA: SIEMPRE trabajar con el protector de la hoja (Fig. 2, No. 9) equipados adecuadamente.**

Proceda de la siguiente manera:

- Afloje la perilla (Fig. 30, # 38) mientras mantiene el afilador (Fig. 30, # 17) en su lugar.
- Levante el afilador (Fig. 31, # 17) y girarla 180 °.
- Bajar cuidadosamente el afilador (Fig. 32, # 17) de nuevo, la cuchilla (Fig. 32, # 16) será automáticamente centrado entre las dos muelas abrasivas.
- Apriete la perilla (Fig. 33, # 38).
- Girar el volante (Fig. 2, # 7) mientras pulsa el botón "X" y llevar a cabo alrededor de 20 a 30 revoluciones blade.
- Deje de girar y comprobar que una ligera rebaba ha formado en el filo de la cuchilla.
- Girar el volante (Fig. 2, # 7) de nuevo mientras pulsa el botón de "K" y realizar 1 ó 2 vueltas de hoja.

*Para la seguridad razones no exceden 1 o 2 revoluciones de cuchilla con el fin de evitar que el borde de la cuchilla de recuperación elástica.*

- Devuelva el afilador a su posición original.

## LUBRICACIÓN DE LA CADENA Y ARTES

Cada 6 meses proceda como sigue:

- Levante la máquina de cortar y aplicar 3 a 4 gotas de lubricante suministrado a la cadena (Fig. 2, # 19) y los engranajes (Fig. 2, # 20).

*Si te quedas sin el lubricante suministrado, utilice Aceite mineral blanco proporcionada por Omcan (Artículo N° 39115).*

**No utilice aceite vegetal.**

*Utilice el lubricante a la ligera.*

- Limpie el exceso de lubricante con una toalla de papel.

## TOMAR LA SALIDA DE CORTAR DEL SERVICIO

Una máquina comprende:

# Instrucciones en Español

- Marco de aluminio de aleación.
- Inserciones de acero inoxidable y componentes.
- Plásticos.

En la puesta en terceros para llevar a cabo el desmantelamiento y demolición, sólo las empresas autorizadas para disponer de estos materiales deben ser empleados.

Cuando la demolición sin asistencia externa, clasificar los distintos tipos de materiales y entregar a las empresas autorizadas para su eliminación.

*SIEMPRE cumplir con la legislación vigente del país en el que se utiliza la máquina de cortar.*

**ADVERTENCIA:** Siempre consulte Omcán lo que respecta a la retirada y eliminación de la hoja (Fig 2, # 16.) Por lo que la eliminación puede realizarse con total seguridad.

**NO ENVIAR LOS COMPONENTES CHATARRA YA QUE REPRESENTAN UNA GRAVE PELIGROS AMBIENTALES, ESPECIALMENTE PARA LOS NIÑOS Y LOS ANIMALES.**

## SOLUCIÓN DE PROBLEMAS

PROBLEMA	CAUSA PROBABLE	SOLUCIÓN
Dificultad para rebanar; resistencia excesiva cuando el producto está en contacto con la cuchilla.	La hoja es contundente.	Afilarse la cuchilla.
Rebanadas son de espesor irregular.	El empujador deja de retener el producto correctamente.	Vuelva a colocar el empujador con el fin de retener el producto correctamente.
	La hoja es contundente.	Afilarse la cuchilla.
Rebanadas salen como "puertas".	El empujador deja de retener el producto correctamente.	Vuelva a colocar el empujador con el fin de retener el producto correctamente.
	La hoja es contundente.	Afilarse la cuchilla.
Las rebanadas están vacías en el centro.	El producto es demasiado suave (no lo suficientemente maduro).	Presione el pulsador más difícil.
	La hoja es contundente.	Afilarse la cuchilla.
Rebanadas desintegran en varios trozos; no se cortan limpiamente.	Cuchilla desgastada.	Reemplace la cuchilla.

# Figure Drawings

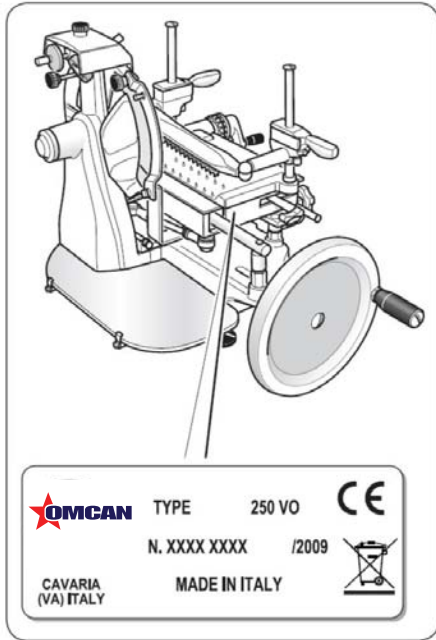


Fig. 1

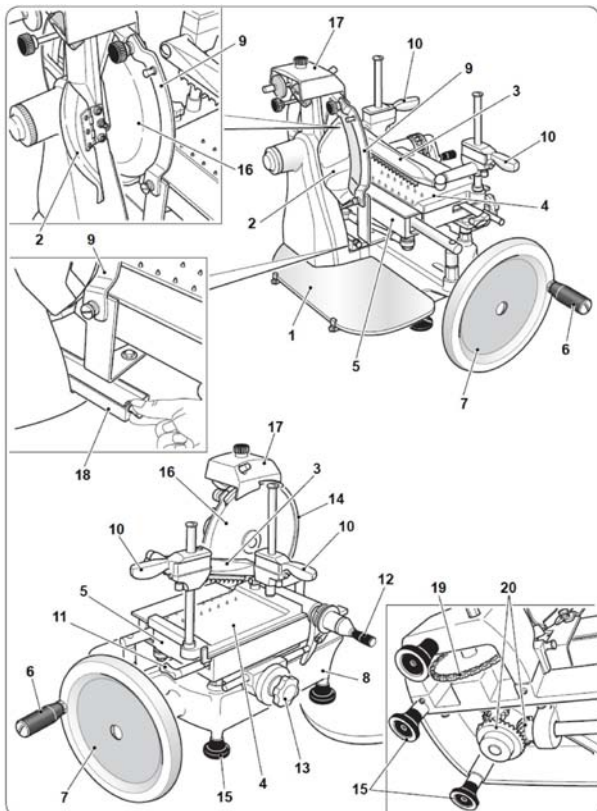


Fig. 2

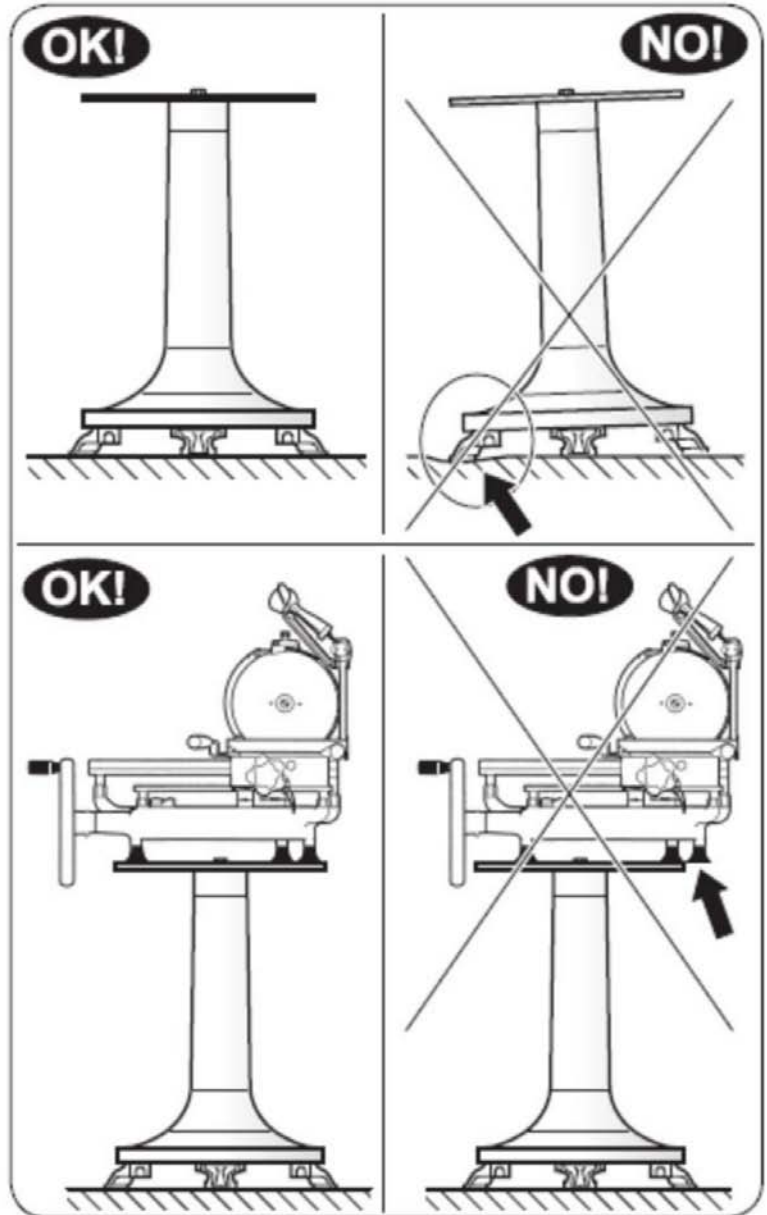


Fig. 4

# Figure Drawings

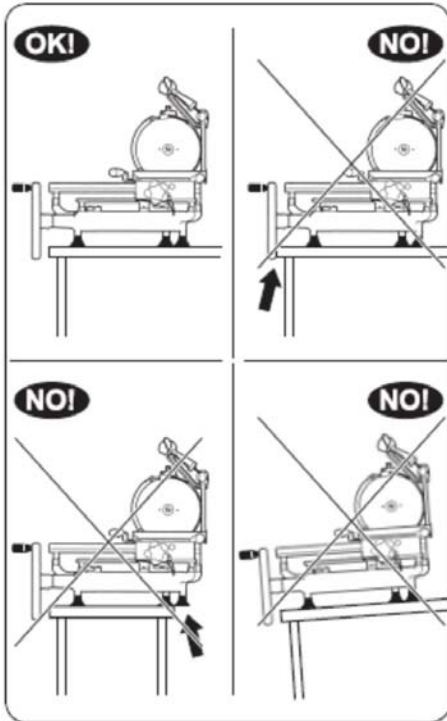


Fig. 5

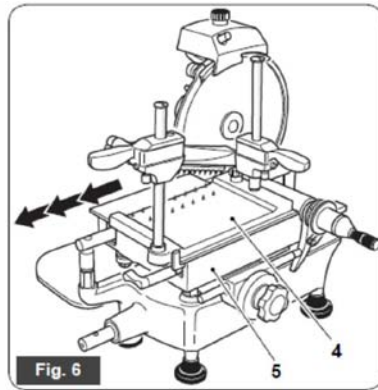


Fig. 6

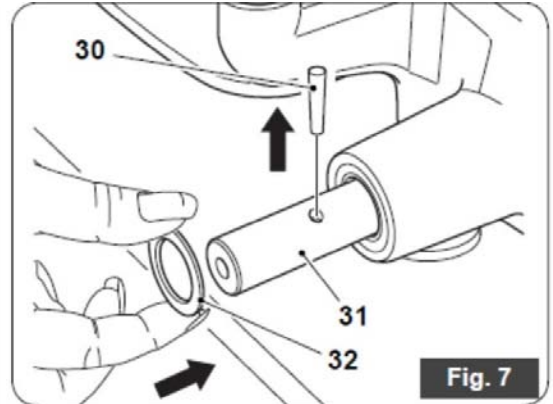


Fig. 7

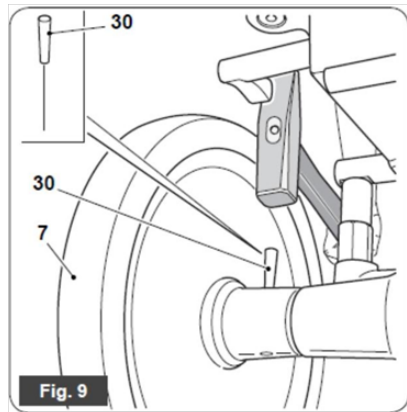


Fig. 9

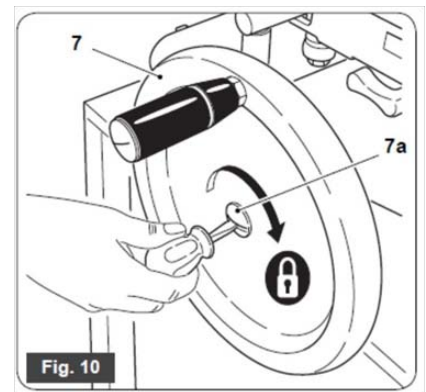


Fig. 10

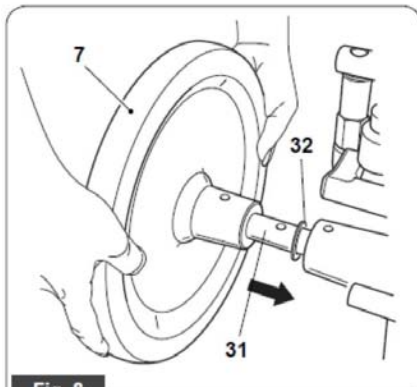


Fig. 8

Fig. 11

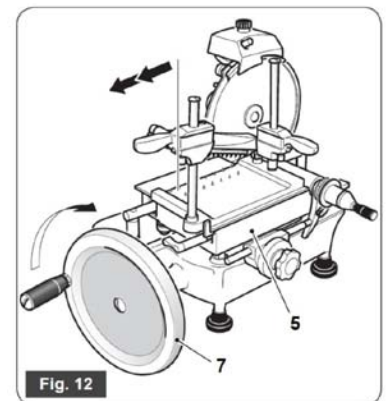
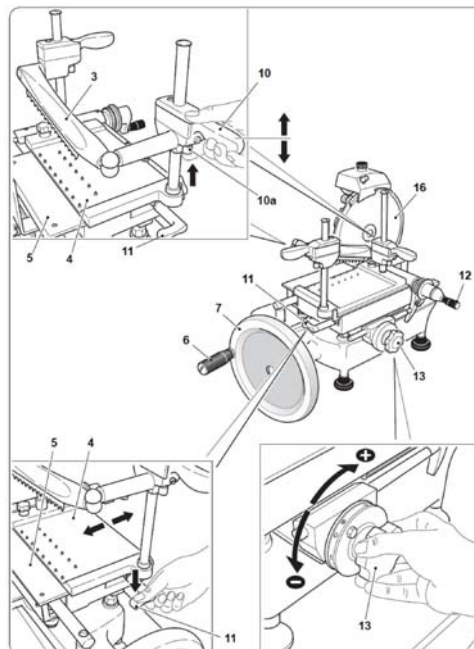
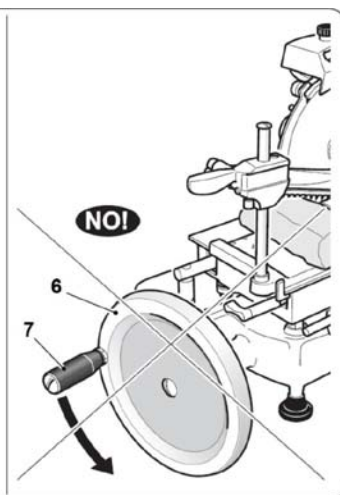
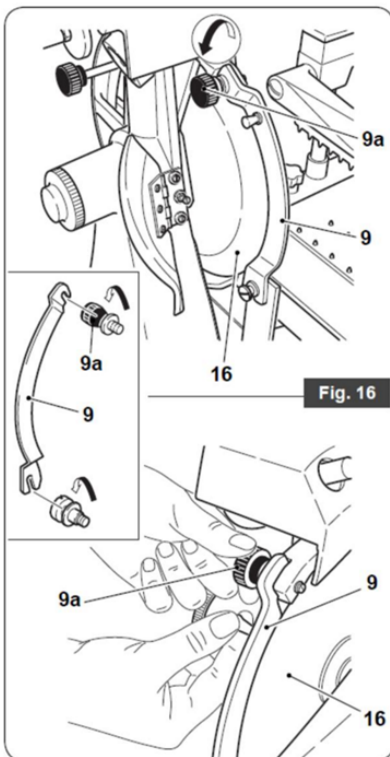
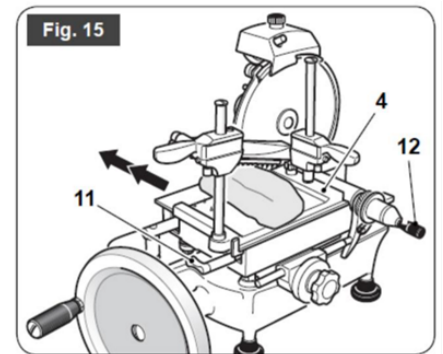
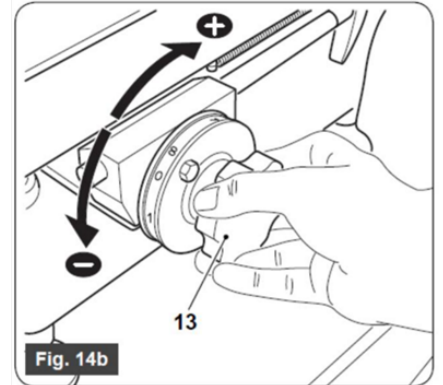
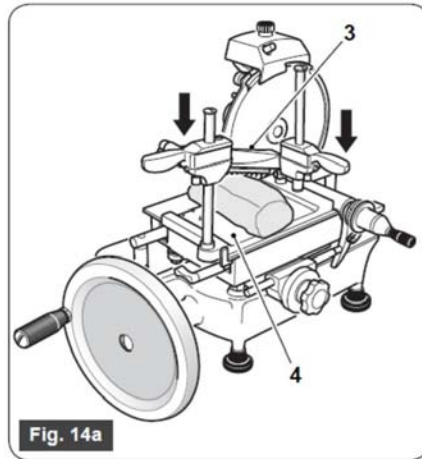
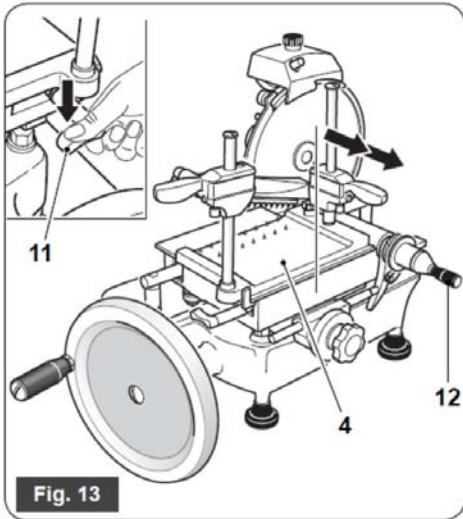


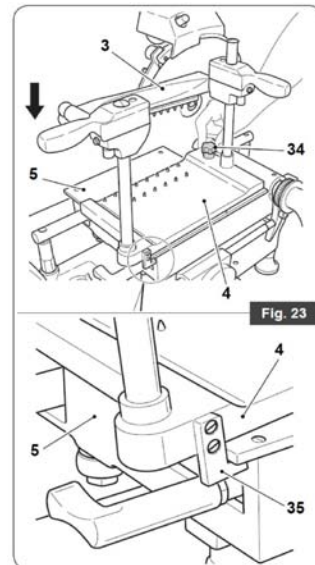
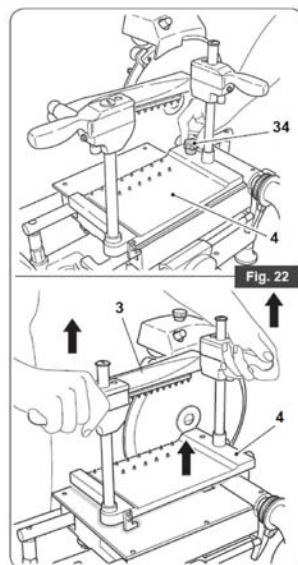
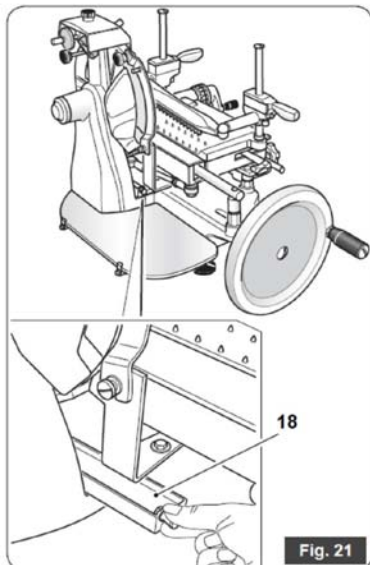
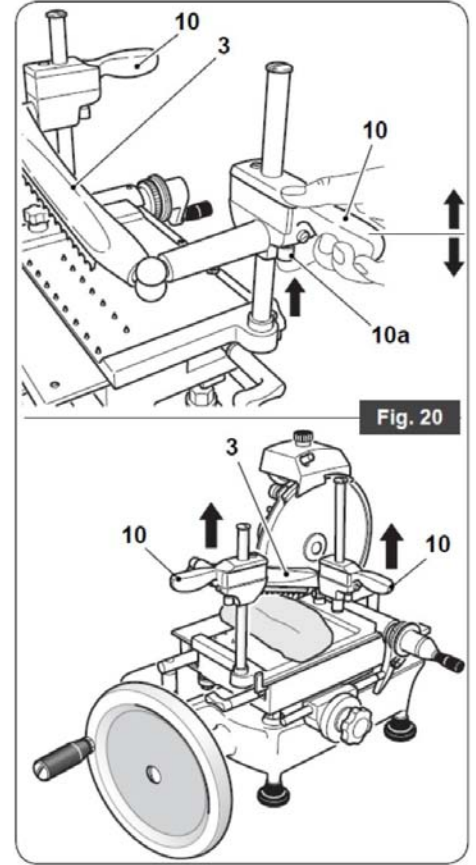
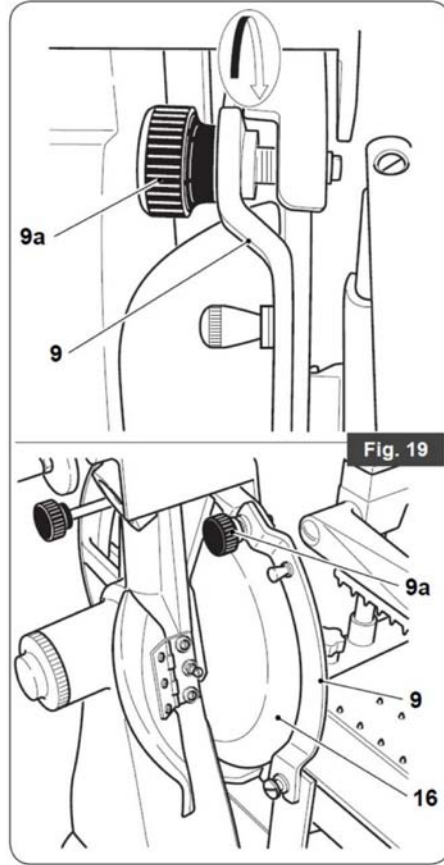
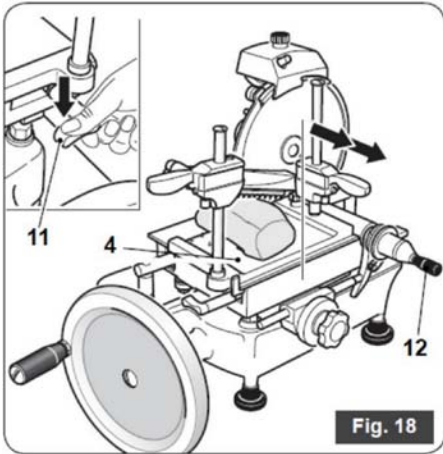
Fig. 12



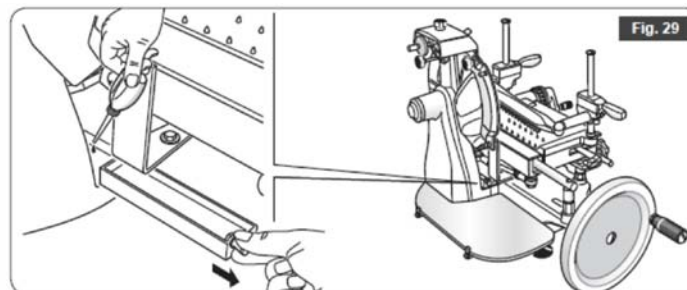
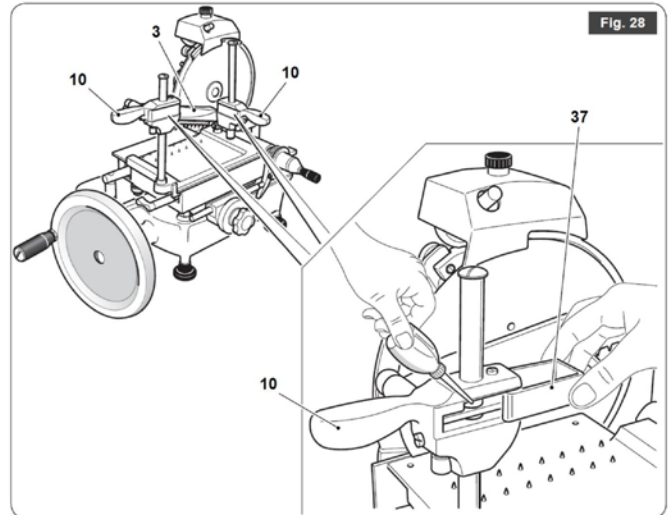
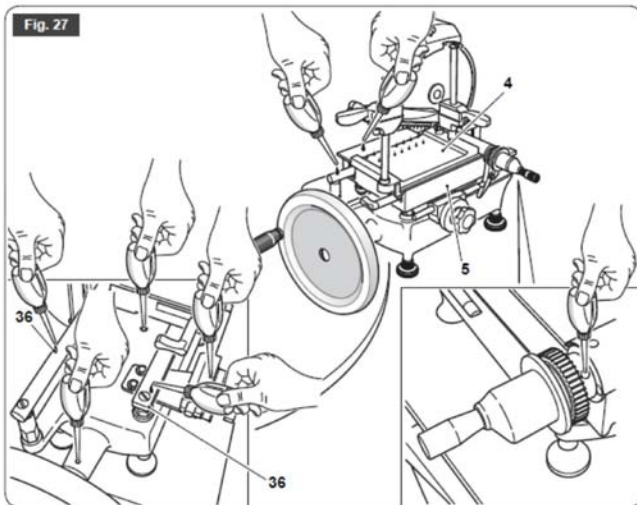
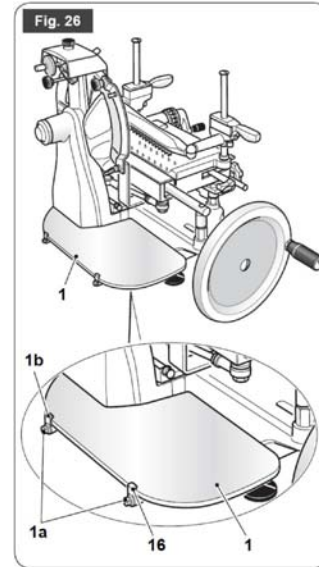
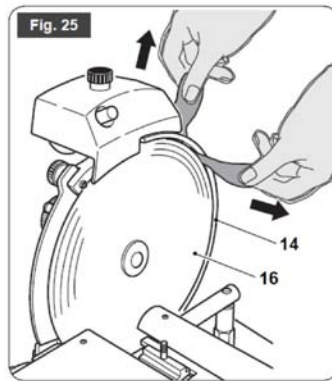
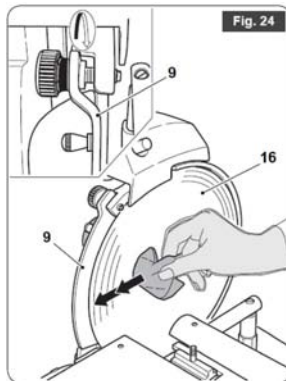
# Figure Drawings



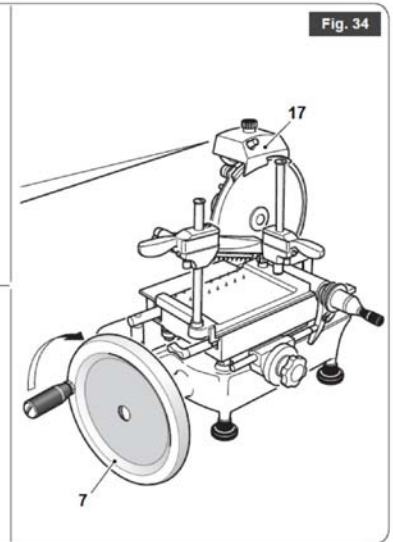
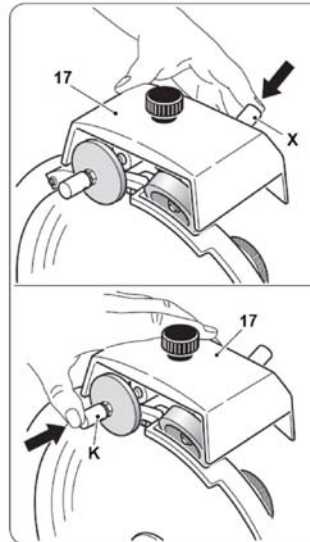
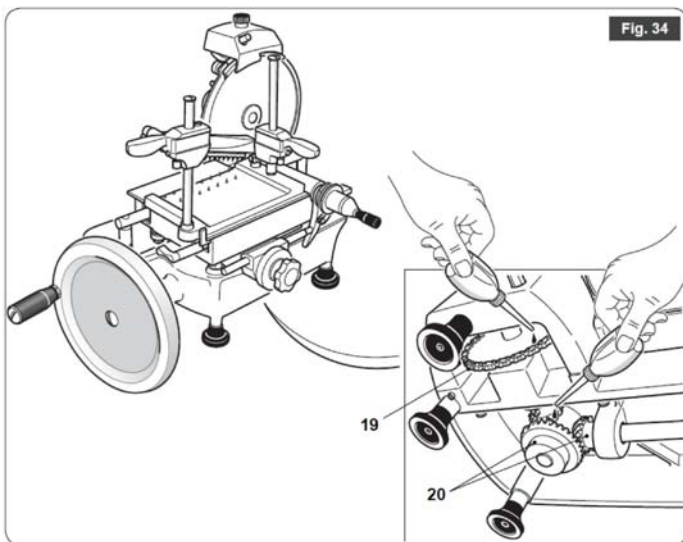
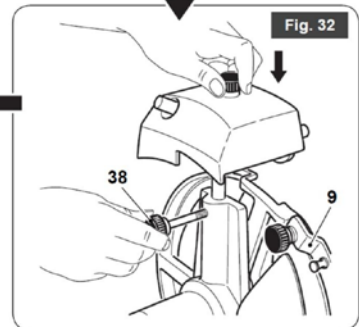
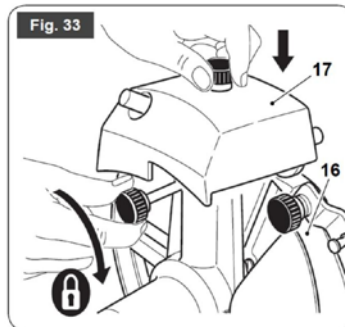
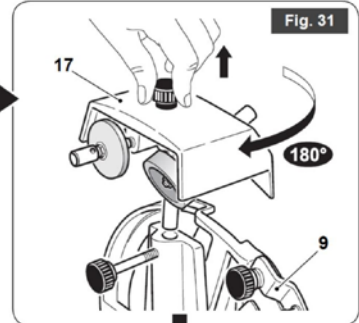
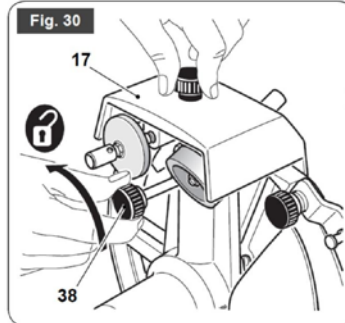
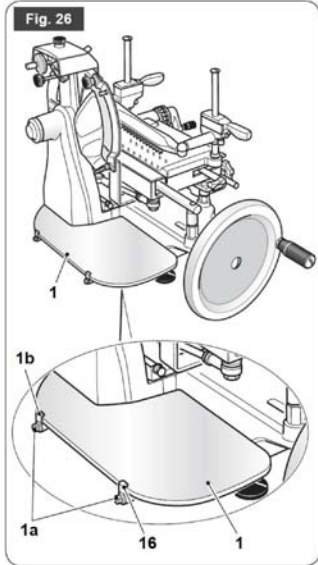
# Figure Drawings



# Figure Drawings



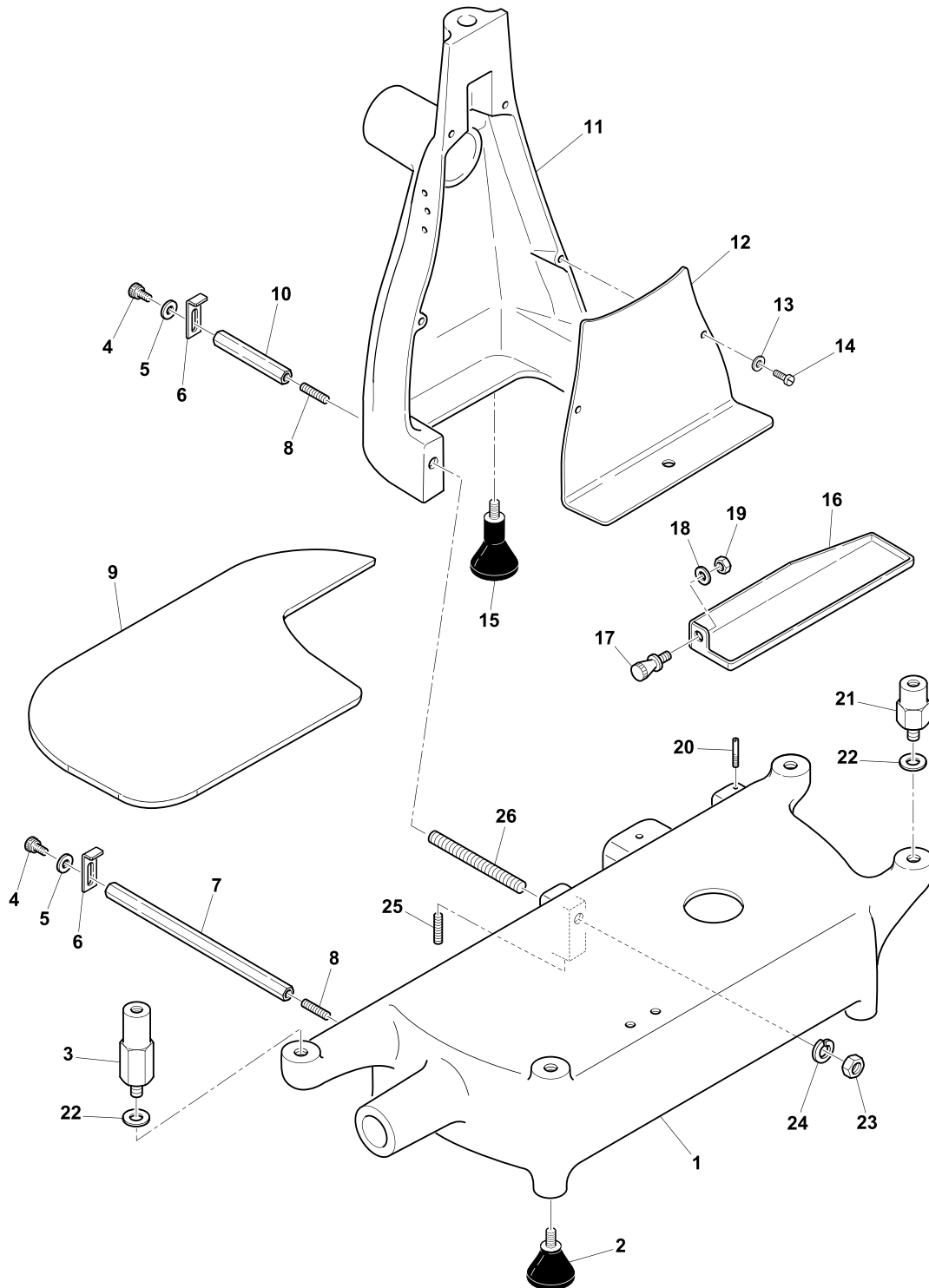
# Figure Drawings



# Parts Breakdown

Model MS-IT-0250-M 20013

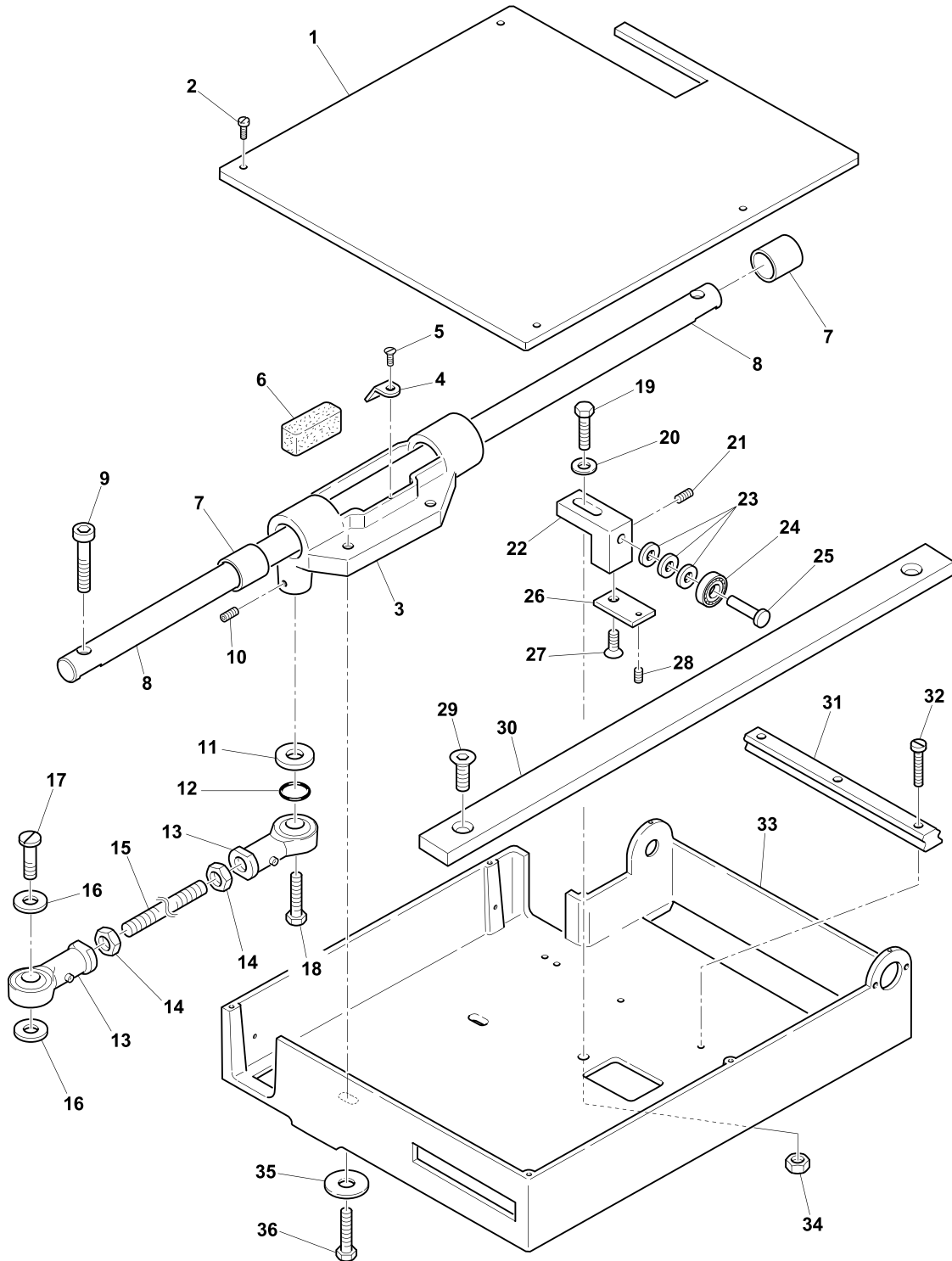
Base



# Parts Breakdown

Model MS-IT-0250-M 20013

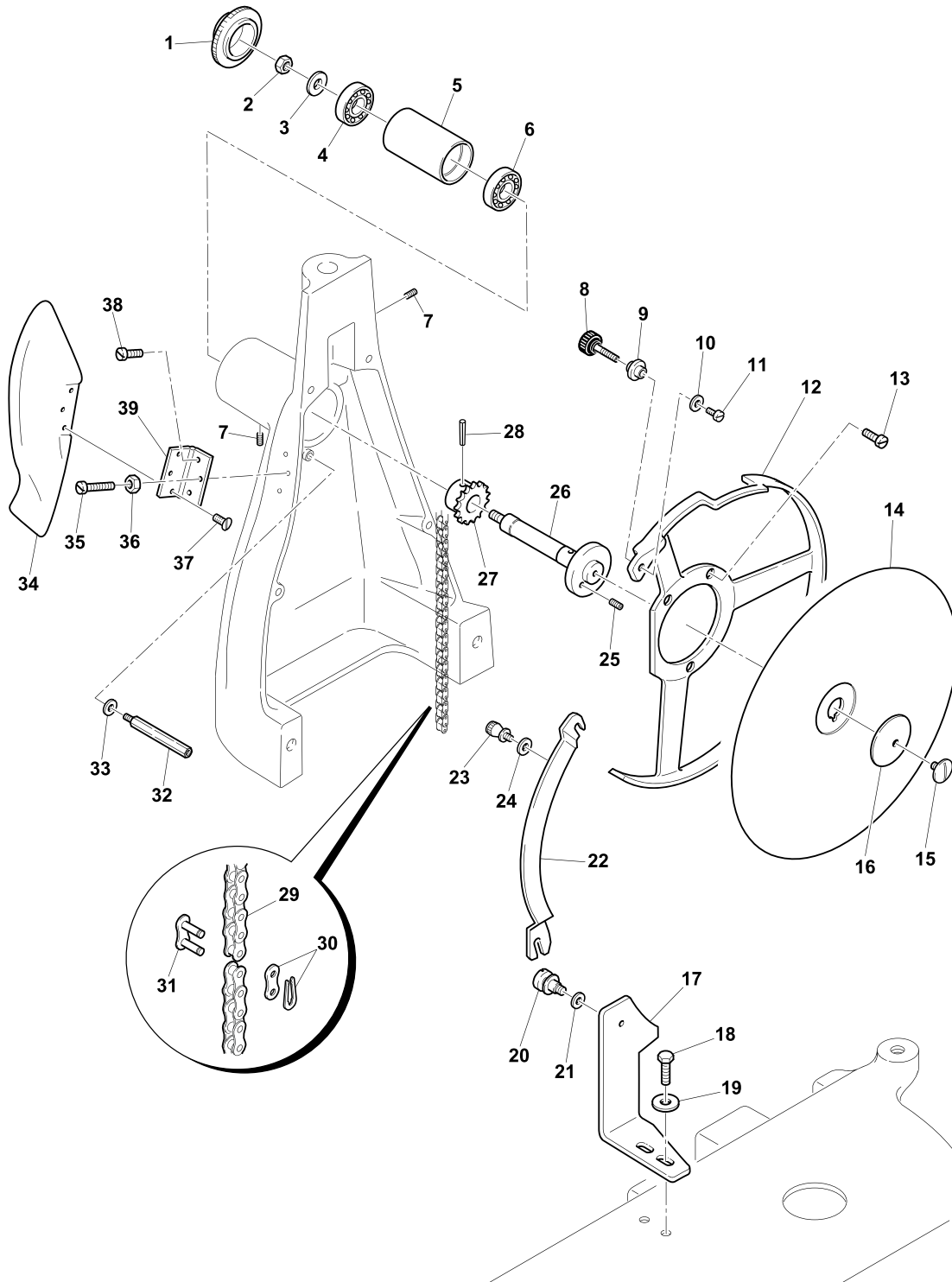
Cart Guide



# Parts Breakdown

Model MS-IT-0250-M 20013

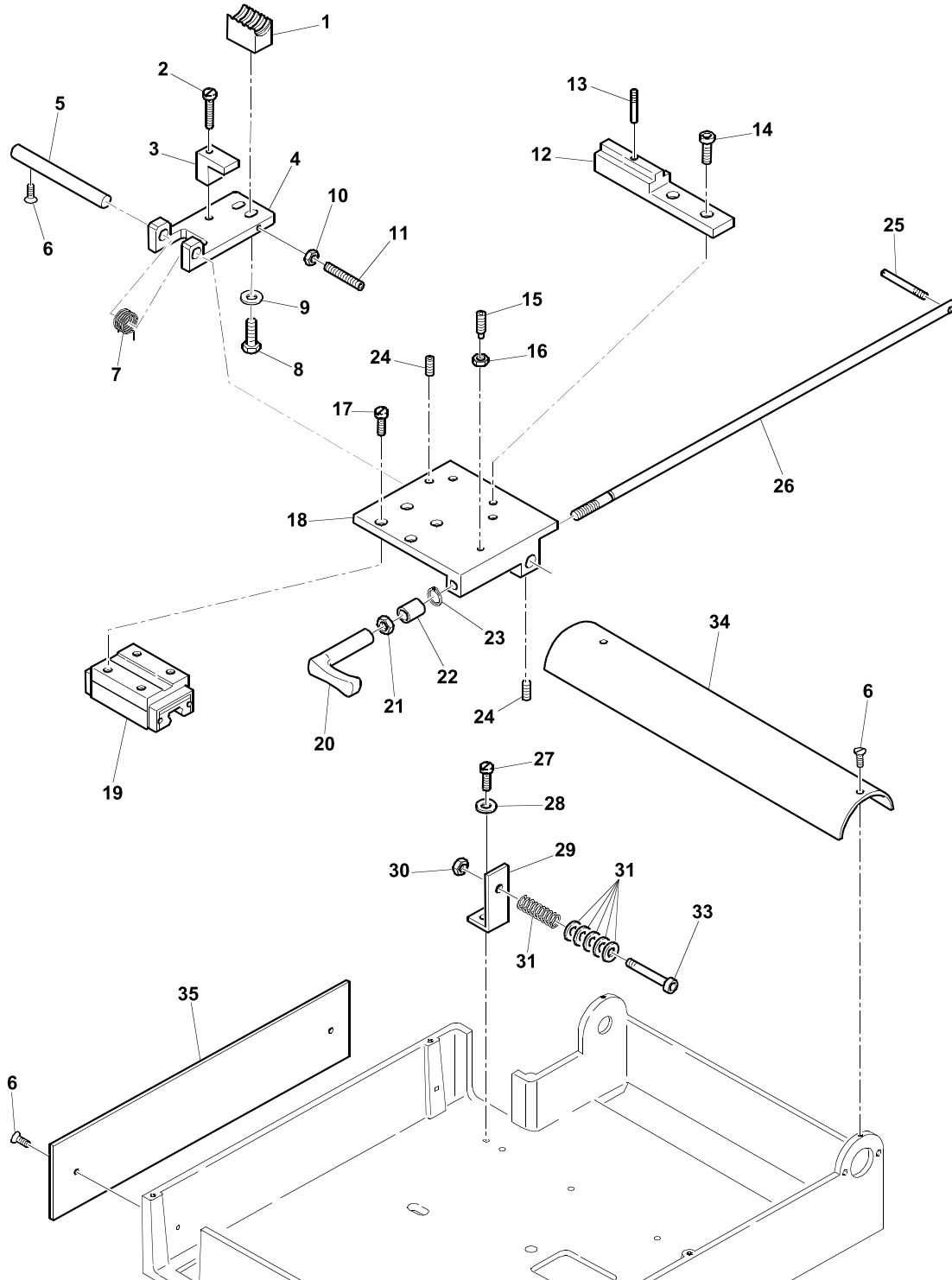
Blade Assembly



# Parts Breakdown

Model MS-IT-0250-M 20013

Cart

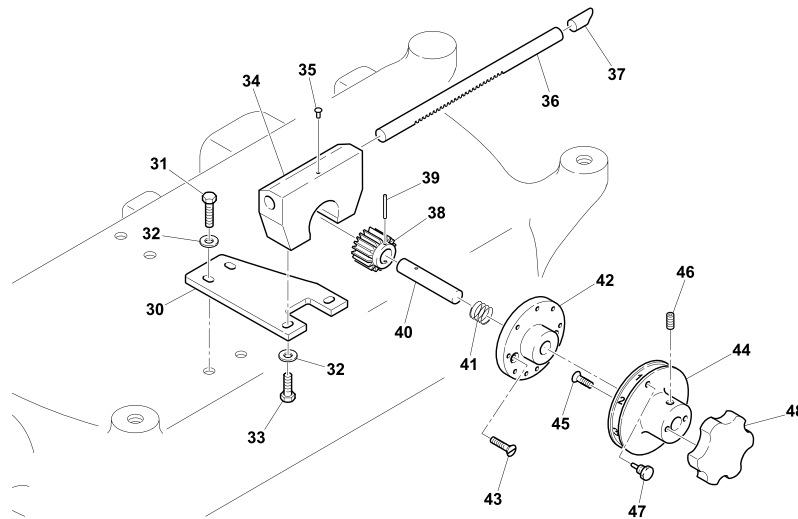
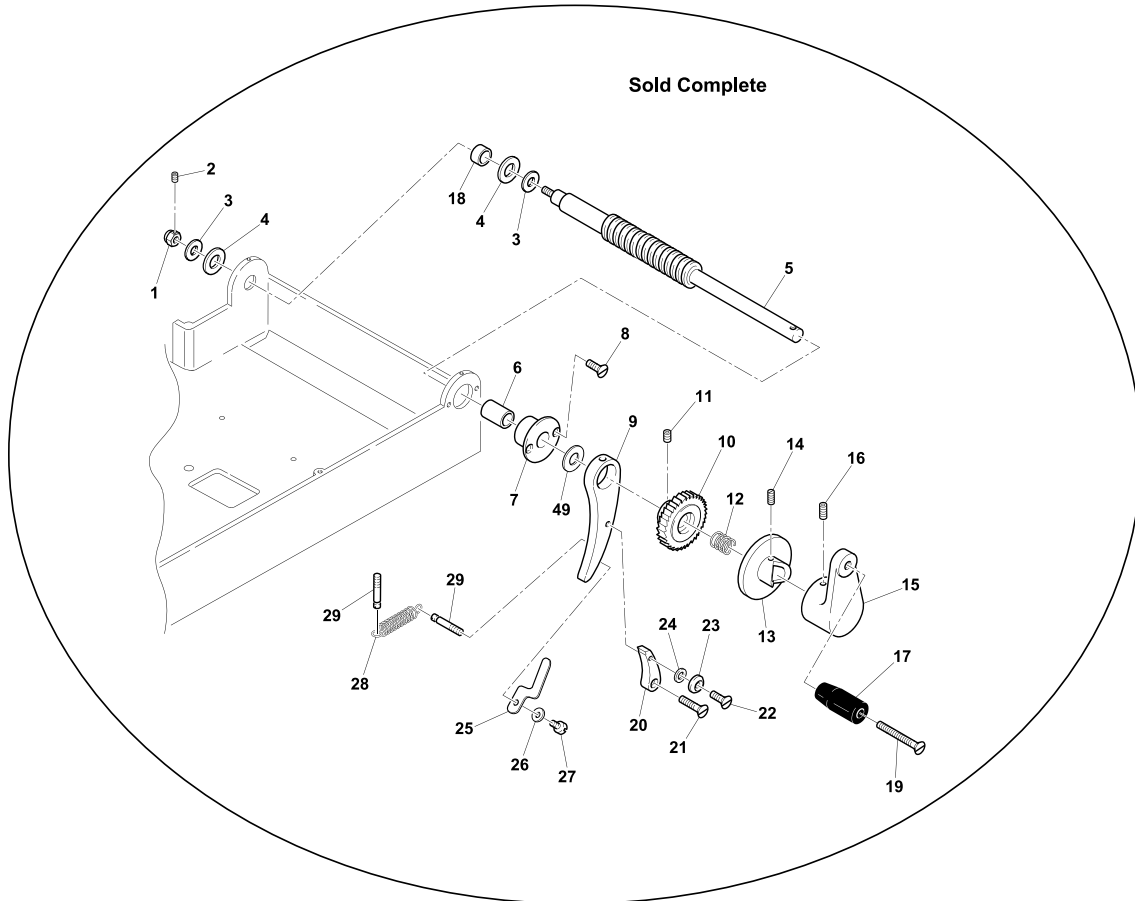




# Parts Breakdown

Model MS-IT-0250-M 20013

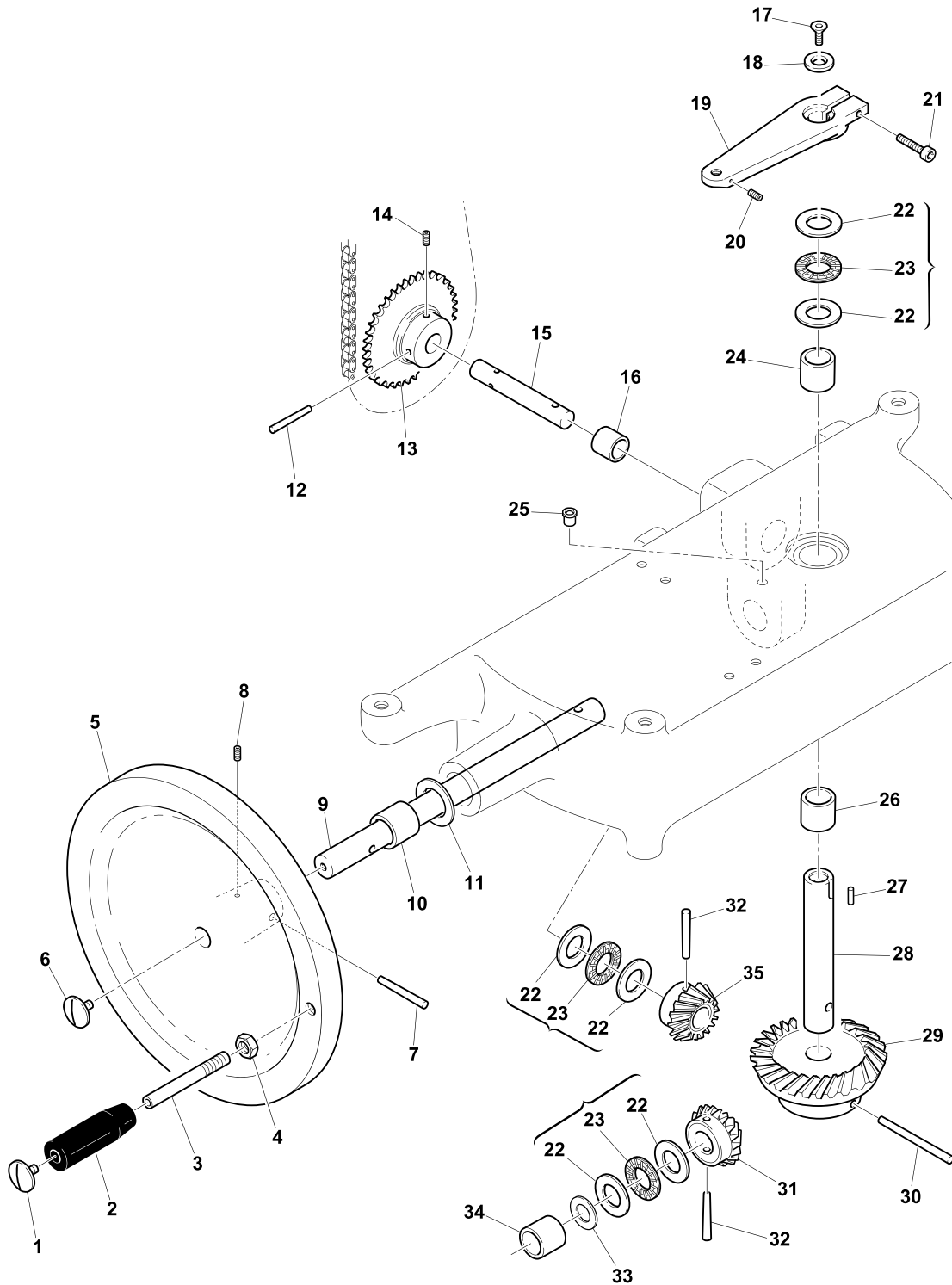
Thickness Adjustor



# Parts Breakdown

Model MS-IT-0250-M 20013

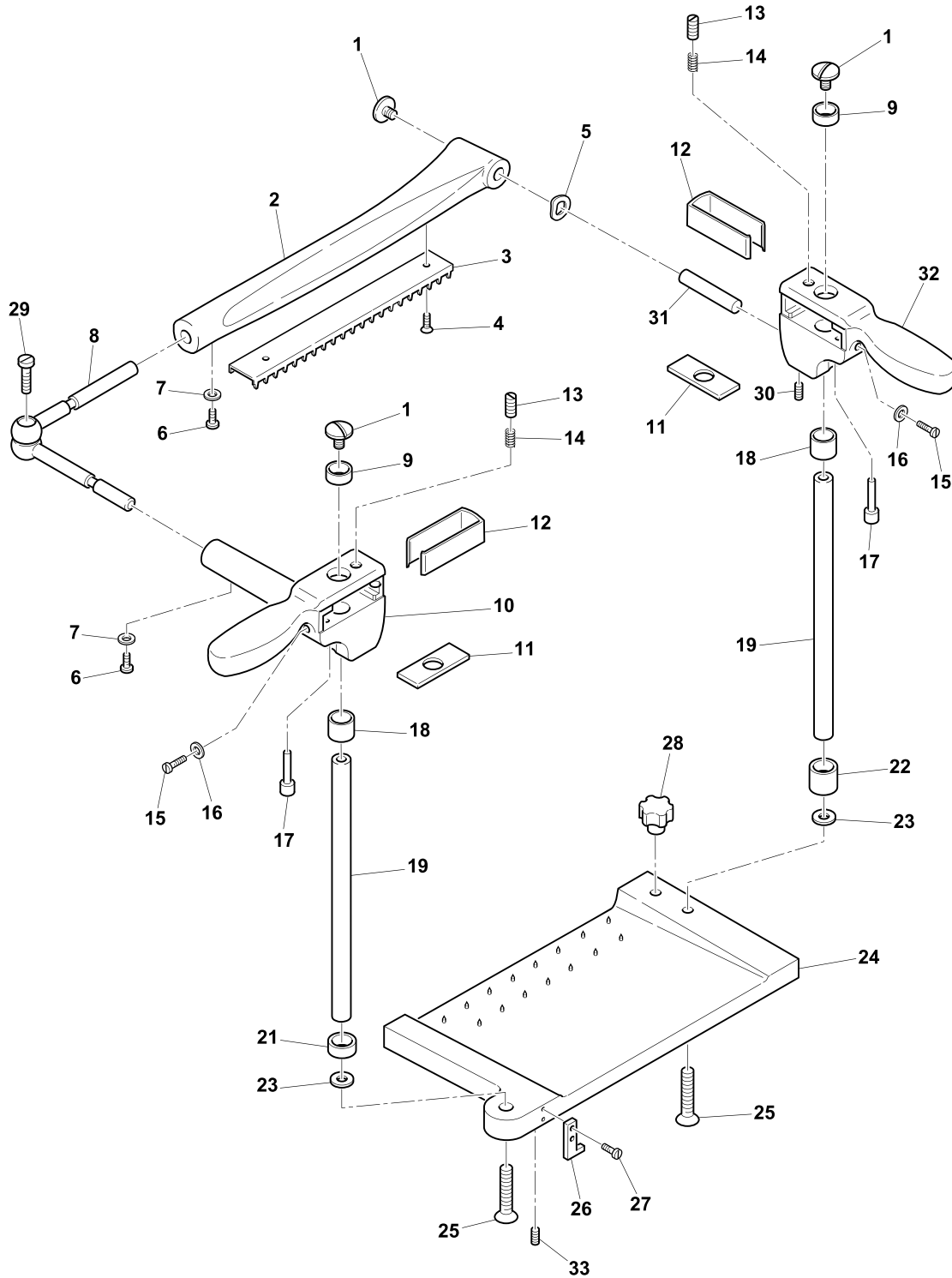
Fly Wheel



# Parts Breakdown

Model MS-IT-0250-M 20013

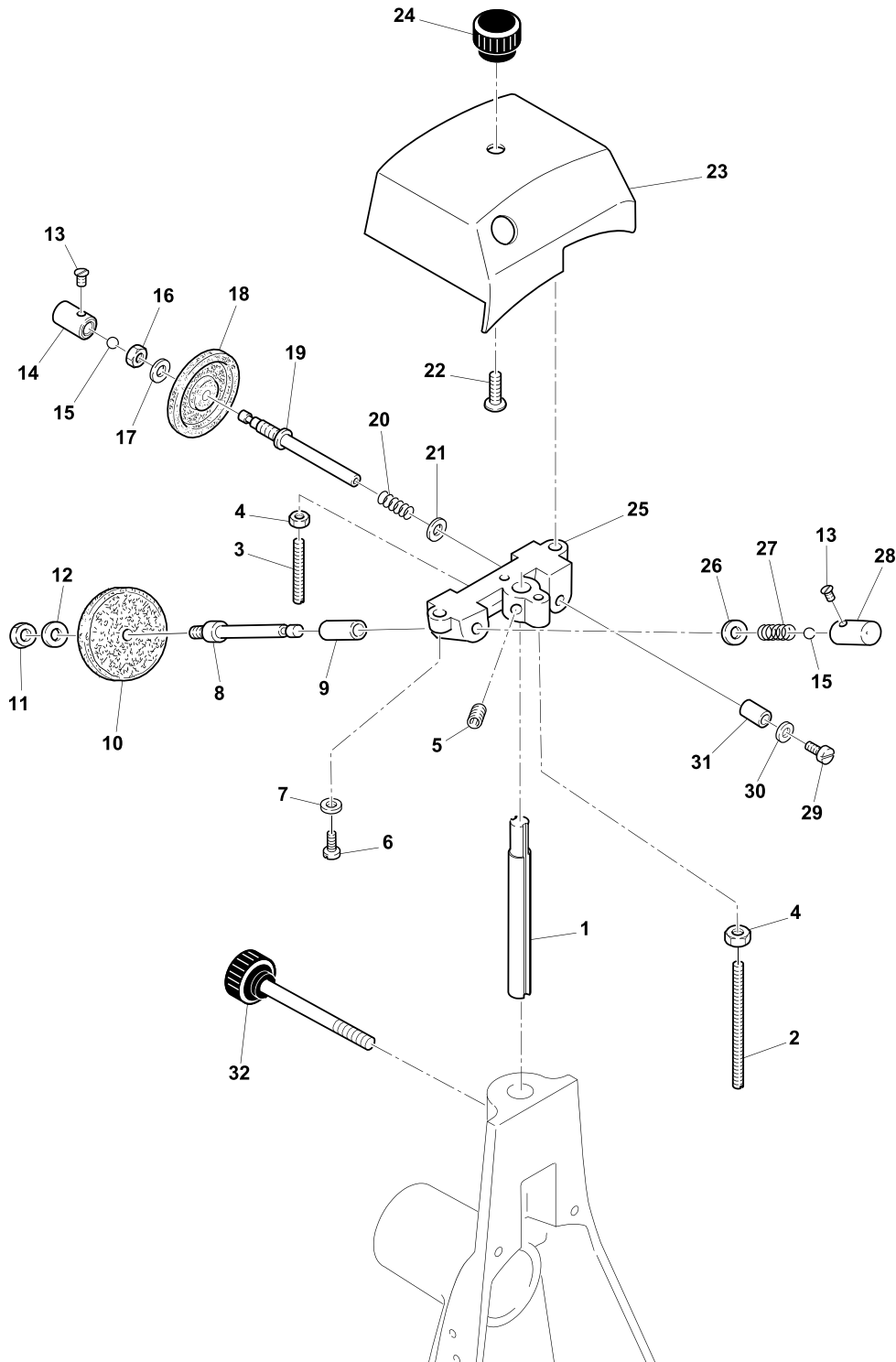
Meat Tray Assembly



# Parts Breakdown

Model MS-IT-0250-M 20013

Sharpening Assembly



# Parts Breakdown

**Model MS-IT-0250-M 20013**

**Base**

Item No.	Description	Position	Item No.	Description	Position	Item No.	Description	Position
32771	Housing for 20013	1	32780	Tray Support Bar for 20013	10	32789	Nut for 20013	19
32772	Foot for 20013	2	32781	Blade Assembly Casing for 20013	11	32790	Pin for 20013	20
32773	Slide Bar Support for 20013	3	32782	Chain Guard for 20013	12	32791	Slide Bar Support for 20013	21
32774	Thumb Screw for 20013	4	32783	Washer for 20013	13	32792	Washer for 20013	22
32775	Washer for 20013	5	32784	Screw for 20013	14	32793	Nut for 20013	23
32776	Plate Stop for 20013	6	15073	Foot for 20013	15	32794	Washer for 20013	24
32777	Tray Support Bar for 20013	7	32786	Tray for 20013	16	32795	Pin for 20013	25
32778	Pin for 20013	8	32787	Thumb Screw for 20013	17	32796	Pin for 20013	26
32779	Tray for 20013	9	32788	Washer for 20013	18			

## Cart Guide

Item No.	Description	Position	Item No.	Description	Position	Item No.	Description	Position
32797	Bottom Plate for 20013	1	32809	Joint for 20013	13	32821	Bearing Pin for 20013	25
32798	Screw for 20013	2	32810	Nut for 20013	14	32822	Tab for 20013	26
32799	Carriage Support for 20013	3	32811	Pin for 20013	15	32823	Screw for 20013	27
32800	Bracket for 20013	4	32812	Washer for 20013	16	32824	Set Screw for 20013	28
32801	Screw for 20013	5	32813	Screw for 20013	17	32825	Screw for 20013	29
32802	Wick for 20013	6	32814	Screw for 20013	18	32826	Carriage Rail for 20013	30
32803	Slide Bar Bushing for 20013	7	32815	Screw for 20013	19	32827	Slide Bar for 20013	31
32804	Carriage Slide Bar for 20013	8	32816	Washer for 20013	20	32828	Screw for 20013	32
32805	Screw for 20013	9	32817	Set Screw for 20013	21	32829	Plate Base for 20013	33
32806	Set Screw for 20013	10	32818	Sharpener Support Bracket for 20013	22	32830	Nut for 20013	34
32807	Washer for 20013	11	32819	Washer for 20013	23	32831	Washer for 20013	35
32808	Washer for 20013	12	32820	Bearing for 20013	24	32832	Screw for 20013	36

# Parts Breakdown

## Model MS-IT-0250-M 20013

## Blade Assembly

Item No.	Description	Position	Item No.	Description	Position	Item No.	Description	Position
32833	Blade Shaft Cap for 20013	1	24039	Blade for 20013	14	32859	Pinion for 20013	27
32834	Nut for 20013	2	32847	Screw Chrome for 20013	15	32860	Pin for 20013	28
32835	Washer for 20013	3	32848	Washer for 20013	16	32861	Chain for 20013	29
32836	Bearing for 20013	4	32849	Bracket for 20013	17	32862	Chain Link for 20013	30
32837	Sleeve for 20013	5	32850	Screw for 20013	18	32863	Chain Link for 20013	31
32838	Bearing for 20013	6	32851	Washer for 20013	19	32864	Guide Rod for 20013	32
32839	Set Screw for 20013	7	32852	Thumb Screw for 20013	20	32865	Washer for 20013	33
32840	Thumb Screw for 20013	8	32853	Washer for 20013	21	32866	Meat Deflector for 20013	34
32841	Spacer for 20013	9	32854	Blade Guard for 20013	22	32867	Screw for 20013	35
32842	Washer for 20013	10	32855	Screw for 20013	23	31315	Nut for 20013	36
32843	Screw for 20013	11	32856	Washer for 20013	24	31314	Screw for 20013	37
32844	Safety Guard Ring for 20013	12	32857	Set Screw for 20013	25	32868	Screw for 20013	38
32845	Screw for 20013	13	32858	Bearing and Shaft for 20013	26	31325	Hinge for 20013	39

## Cart

Item No.	Description	Position	Item No.	Description	Position	Item No.	Description	Position
32869	Comb Block for 20013	1	32881	Pin for 20013	13	32893	Pin for 20013	25
32870	Screw for 20013	2	32882	Socket Head Screw for 20013	14	32894	Needle Rod for 20013	26
32871	Sharpener Support Bracket for 20013	3	32883	Pin for 20013	15	32895	Screw for 20013	27
32872	Support Mount for 20013	4	32884	Nut for 20013	16	32896	Washer for 20013	28
32873	Pivot Rod for 20013	5	32885	Screw for 20013	17	32897	Tab for 20013	29
32874	Screw for 20013	6	32886	Moving Plate for 20013	18	32898	Nut for 20013	30
32875	Spring for 20013	7	32887	Side Plate for 20013	19	32899	Spring for 20013	31
32876	Screw for 20013	8	32888	Leveler for 20013	20	32900	Washer for 20013	32
32877	Washer for 20013	9	32889	Nut for 20013	21	32901	Socket Head Screw for 20013	33
32878	Nut for 20013	10	32890	Bushing for 20013	22	32902	Slide Bar Cover for 20013	34
32879	Pin for 20013	11	32891	Clip for 20013	23	32903	Bottom Plate Cover for 20013	35
32880	Mount for 20013	12	32892	Pin for 20013	24			



# Parts Breakdown

## Model MS-IT-0250-M 20013

## Thickness Adjustor

Item No.	Description	Position	Item No.	Description	Position	Item No.	Description	Position
32904	Acorn Nut for 20013	1	32921	Feed Screw Bushing for 20013	18	32938	Rivet for 20013	35
32905	Set Screw for 20013	2	32922	Screw for 20013	19	32939	Fly Rod for 20013	36
32906	Washer for 20013	3	32923	Small Skip Latch for 20013	20	32940	Rod PVC for 20013	37
32907	Washer for 20013	4	32924	Screw for 20013	21	32941	Gear for 20013	38
32908	Feed Screw Shaft for 20013	5	32925	Screw for 20013	22	32942	Pin for 20013	39
32909	Bushing for 20013	6	32926	Nut for 20013	23	22943	Steel Pin for 20013	40
32910	Feed Pin Bushing for 20013	7	32927	Washer for 20013	24	32944	Spring for 20013	41
32911	Screw for 20013	8	32928	Small Spring for 20013	25	32945	Nut for 20013	42
32912	Big Skip Latch for 20013	9	32929	Washer for 20013	26	32946	Screw for 20013	43
32913	Gear for 20013	10	32930	Screw for 20013	27	32947	Graduated Scale for 20013	44
32914	Set Screw for 20013	11	32931	Spring for 20013	28	32948	Screw for 20013	45
32915	Spring for 20013	12	32932	Pin for 20013	29	32949	Set Screw for 20013	46
32916	Wheel Plate for 20013	13	32933	Mounting Plate for 20013	30	32950	Thumb Screw for 20013	47
32917	Set Screw for 20013	14	32934	Bolt for 20013	31	32951	Adjustment Knob for 20013	48
32918	Feed Plate Handle Mount for 20013	15	32935	Washer for 20013	32	37563	Washer for 20013	49
32919	Set Screw for 20013	16	32936	Screw for 20013	33	31317	Complete Thickness Adjustor Assy for 20013	1 - 29, 49
32920	Handle for 20013	17	32937	Index Mount for 20013	34			

## Fly Wheel

Item No.	Description	Position	Item No.	Description	Position	Item No.	Description	Position
31321	Screw for 20013	1	32962	Pinion for 20013	13	32974	Brass Bushing for 20013	26
31320	Knob for 20013	2	32963	Set Screw for 20013	14	32975	Set Screw for 20013	27
32952	Fly Wheel Handle Shaft for 20013	3	32964	Gear Shaft for 20013	15	32976	Gear Pivot for 20013	28
32953	Nut for 20013	4	32965	Brass Bushing for 20013	16	32977	Gear for 20013	29
32954	Fly Wheel for 20013	5	32966	Screw for 20013	17	32978	Pin for 20013	30
32955	Screw Chrome for 20013	6	32967	Washer for 20013	18	32979	Gear for 20013	31
32956	Pin for 20013	7	32968	Support Mount for 20013	19	32980	Pin for 20013	32
32957	Set Screw for 20013	8	32969	Set Screw for 20013	20	32981	Washer for 20013	33
32958	Gear Shaft for 20013	9	32970	Socket Head Screw for 20013	21	32982	Brass Bushing for 20013	34
32959	Brass Bushing for 20013	10	32971	Axial Bearing for 20013	22 - 23	32983	Gear for 20013	35
32960	Washer for 20013	11	32972	Brass Bushing for 20013	24			
32961	Pin for 20013	12	32973	Oiler for 20013	25			

# Parts Breakdown

## Model MS-IT-0250-M 20013

## Meat Tray Assembly

Item No.	Description	Position	Item No.	Description	Position	Item No.	Description	Position
32984	Screw Chrome for 20013	1	32995	U-Bracket for 20013	12	31319	Upper Plate for 20013	24
32985	Meat Grip Holder for 20013	2	32996	Set Screw for 20013	13	33006	Screw TPSV for 20013	25
32986	Meat Grip Bar for 20013	3	32997	Set Screw for 20013	14	33007	Plate Lock for 20013	26
32987	Screw TPSV for 20013	4	32998	Screw TC for 20013	15	33008	Screw TC for 20013	27
32988	Wavy Washer for 20013	5	32999	Washer for 20013	16	33009	Tightening Knob for 20013	28
32989	Screw TC for 20013	6	33000	Socket Head Screw for 20013	17	33010	Screw TC for 20013	29
32990	Washer for 20013	7	33001	Bar Bushing for 20013	18	33011	Set Screw for 20013	30
32991	Joint for 20013	8	33002	Cam for 20013	19	33012	Steel Pin for 20013	31
32992	Bar Bushing for 20013	9	33003	Spacer for 20013	21	33013	Handle for 20013	32
32993	Handle for 20013	10	33004	Spacer for 20013	22	33014	Set Screw for 20013	33
32994	Brake Tab for 20013	11	33005	Washer for 20013	23			

## Sharpening Assembly

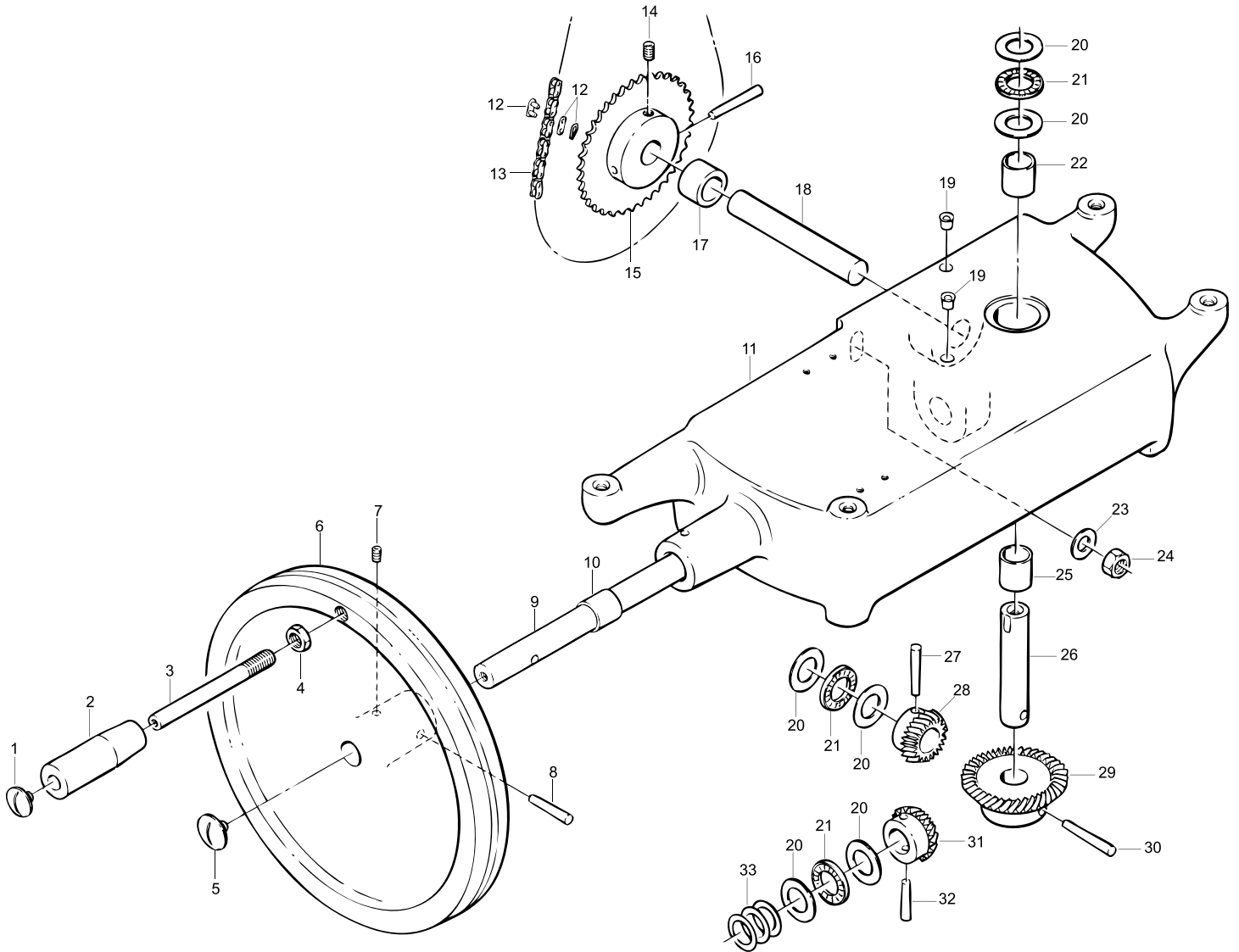
Item No.	Description	Position	Item No.	Description	Position	Item No.	Description	Position
33015	Shaft for Sharpener for 20013	1	33026	Washer for 20013	12	33037	Sharpener Cover for 20013	23
33016	Pin for 20013	2	33027	Push Button Screw for 20013	13	33038	Sharpener Cover Knob for 20013	24
33017	Pin for 20013	3	33028	Sharpener Push Button for 20013	14	33039	Sharpener Body for 20013	25
33018	Nut 5 for 20013	4	33029	Ball Bearing for 20013	15	33040	Washer for 20013	26
33019	Set Screw 6x8 for 20013	5	33030	Nut for 20013	16	33041	Spring for 20013	27
33020	Screw TC 4x16 for 20013	6	33031	Washer for 20013	17	33042	Sharpener Push Button for 20013	28
33021	Washer 5 for 20013	7	33545	45x13x6 Sharpening Stone for 20013	18	33043	Screw TC for 20013	29
33022	Sharpener Pin for 20013	8	33033	Sharpener Pin for 20013	19	33044	Washer for 20013	30
33023	Pin Bushing for 20013	9	33034	Spring for 20013	20	33045	Pin Bushing for 20013	31
18016	Omcan G Stone 50x08x06 for 20013	10	33035	Washer for 20013	21	33046	Thumb Screw for 20013	32
33025	Nut 6 for 20013	11	33036	Screw TPSV for 20013	22			



# Parts Breakdown

Model MS-IT-0300-M 13634

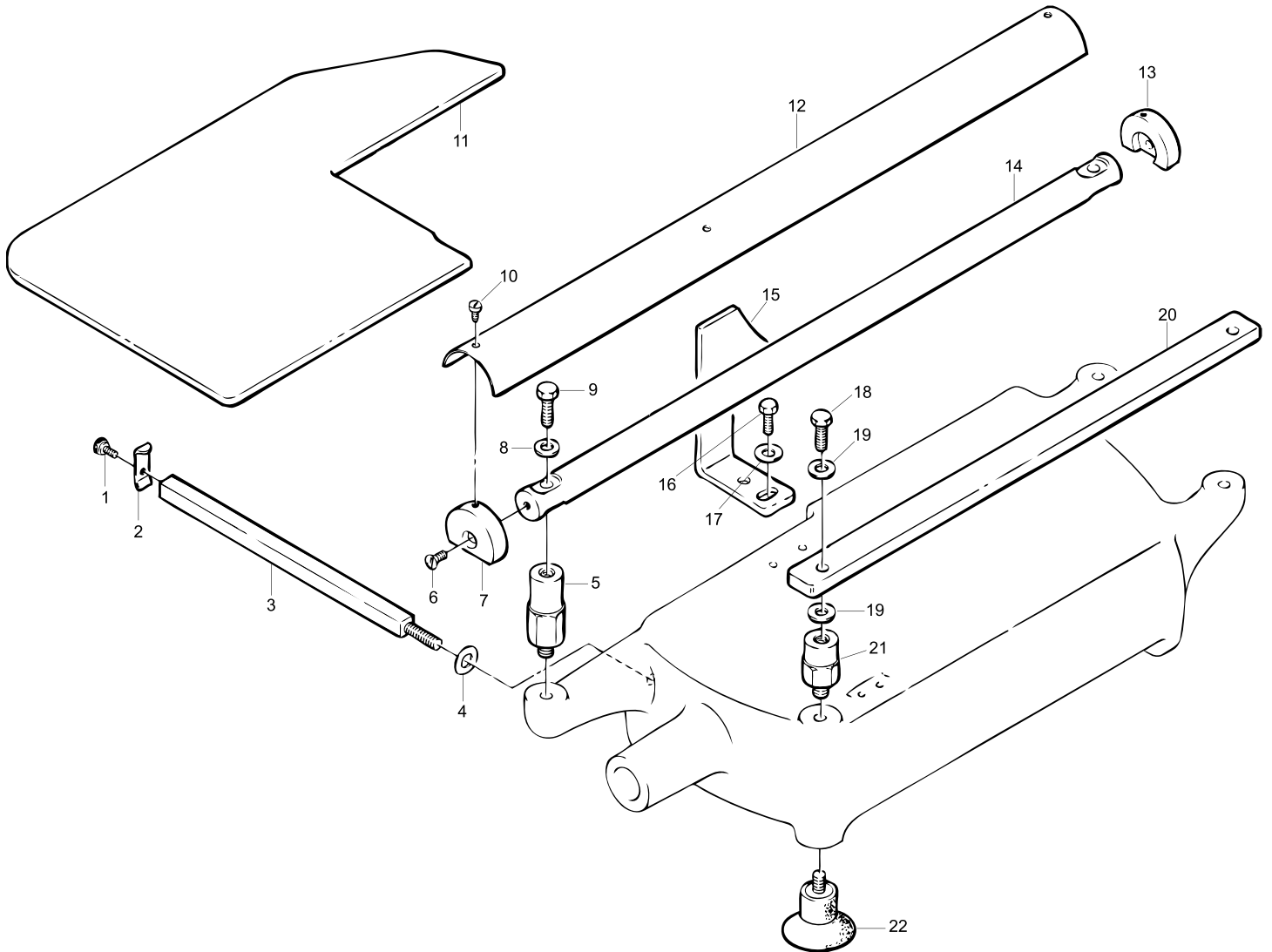
Base



# Parts Breakdown

Model MS-IT-0300-M 13634

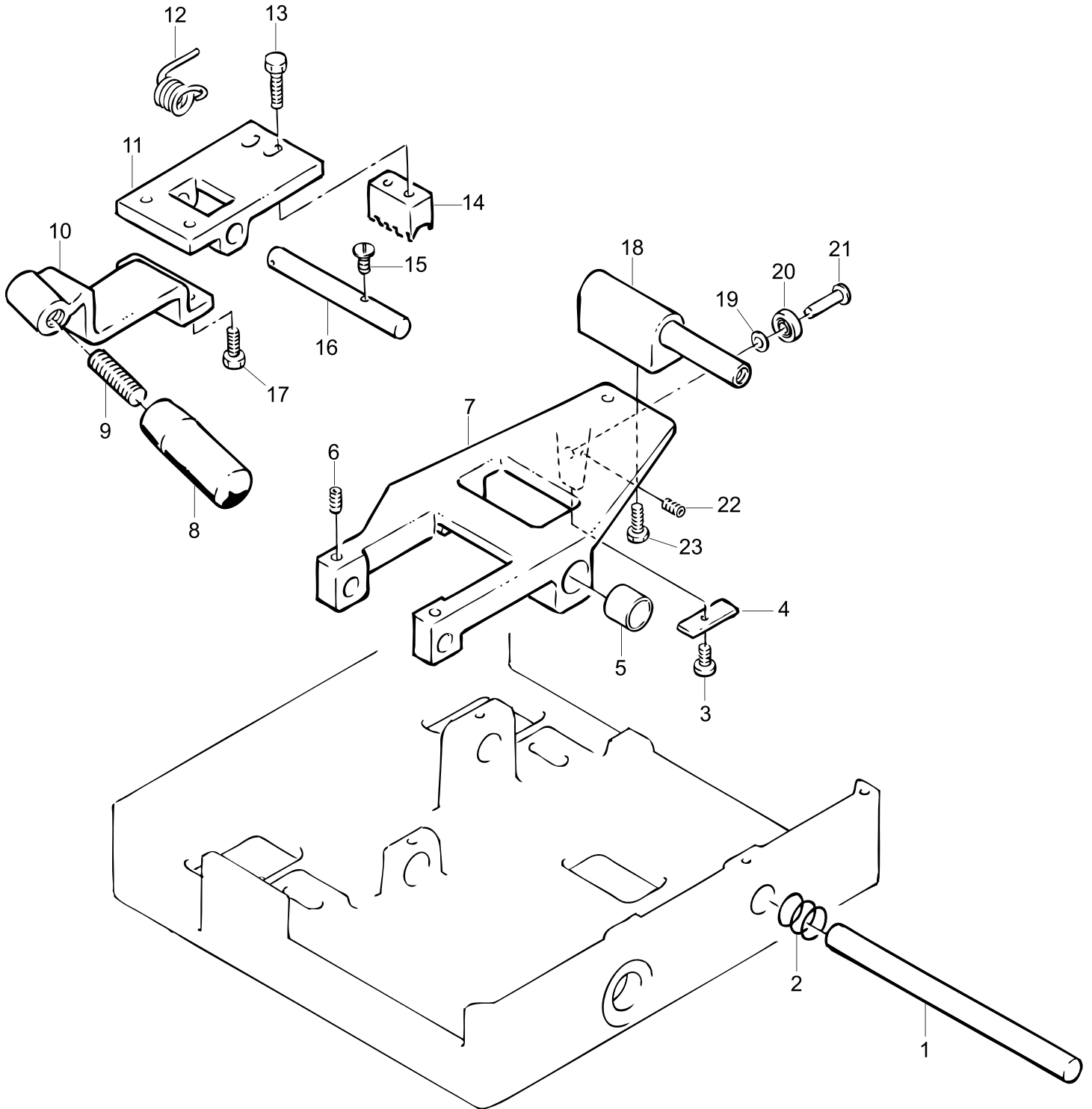
Guide



# Parts Breakdown

Model MS-IT-0300-M 13634

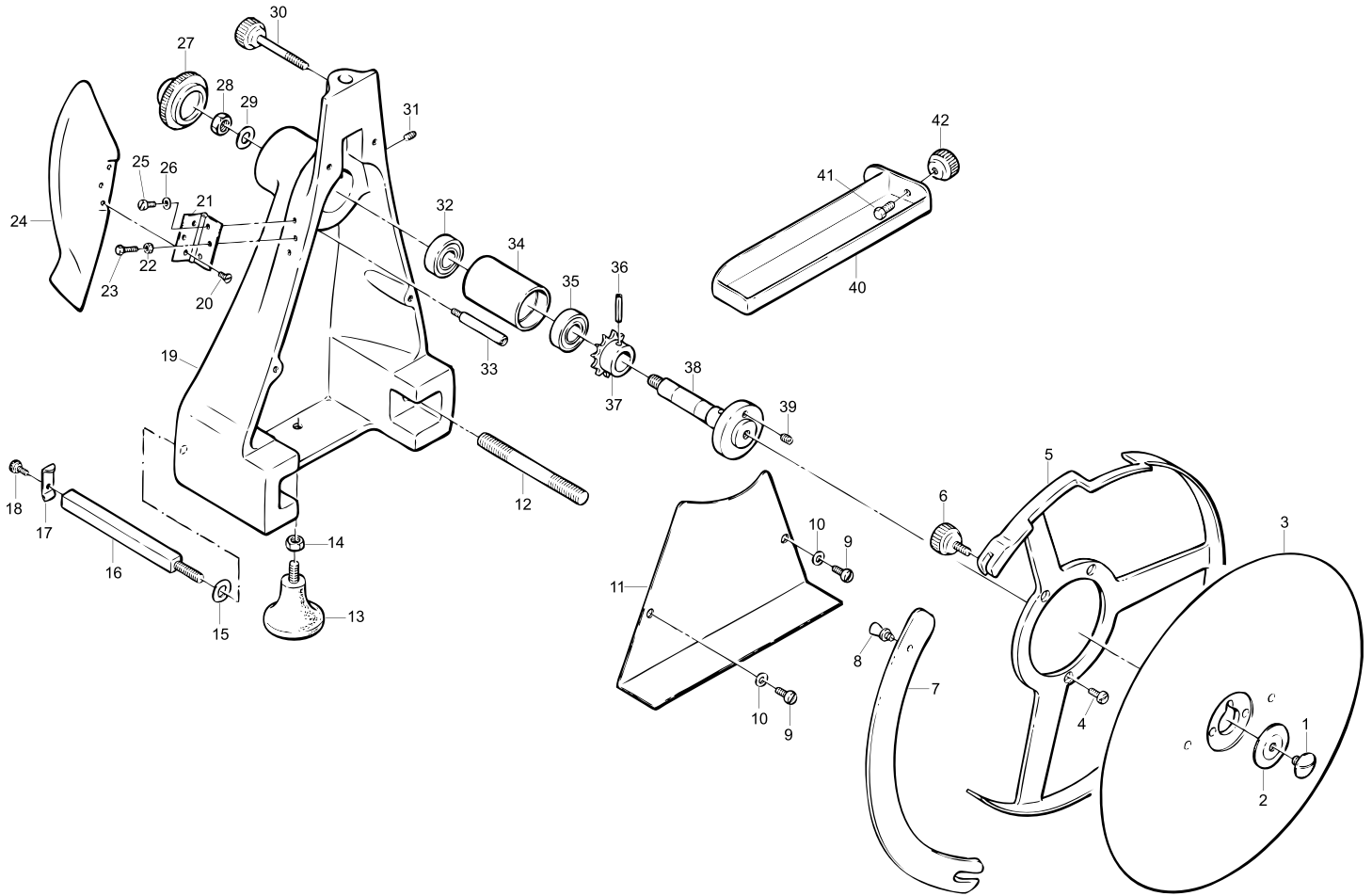
Rapid Approach



# Parts Breakdown

Model MS-IT-0300-M 13634

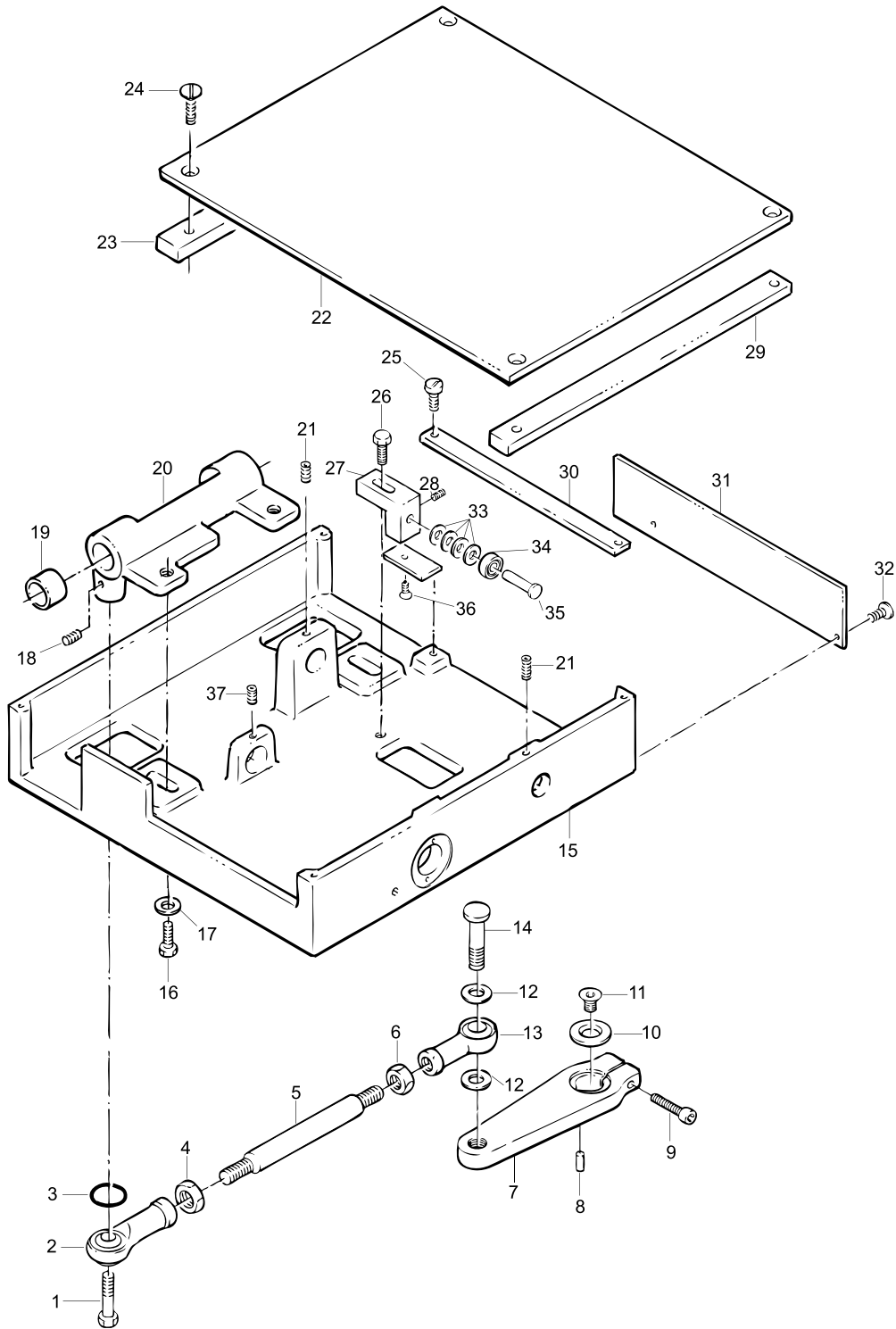
Blade Assembly



# Parts Breakdown

Model MS-IT-0300-M 13634

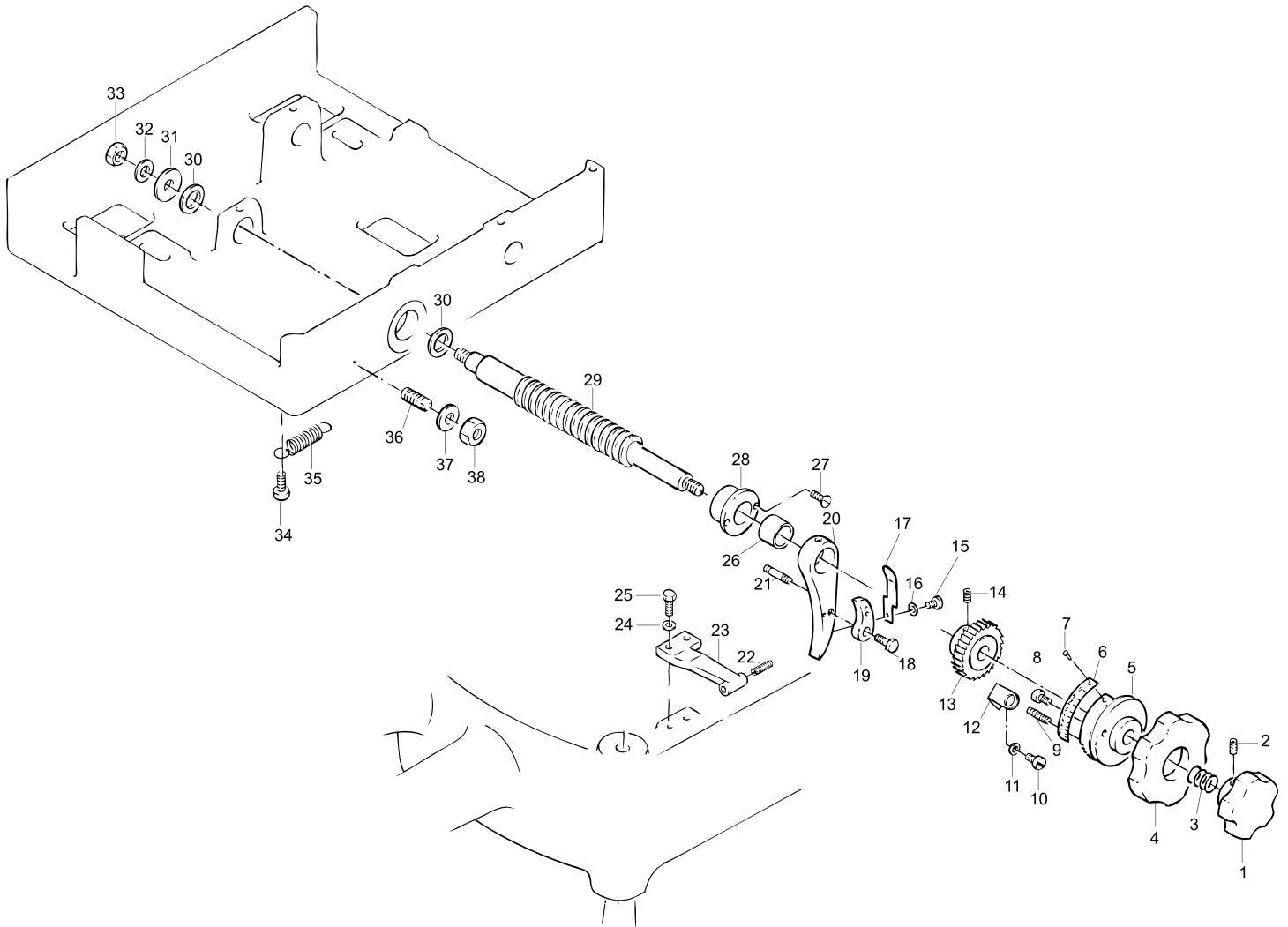
Cart



# Parts Breakdown

Model MS-IT-0300-M 13634

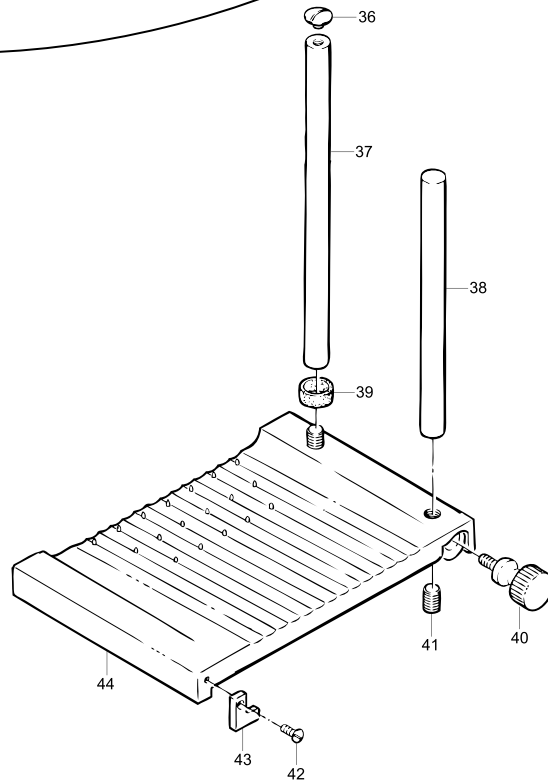
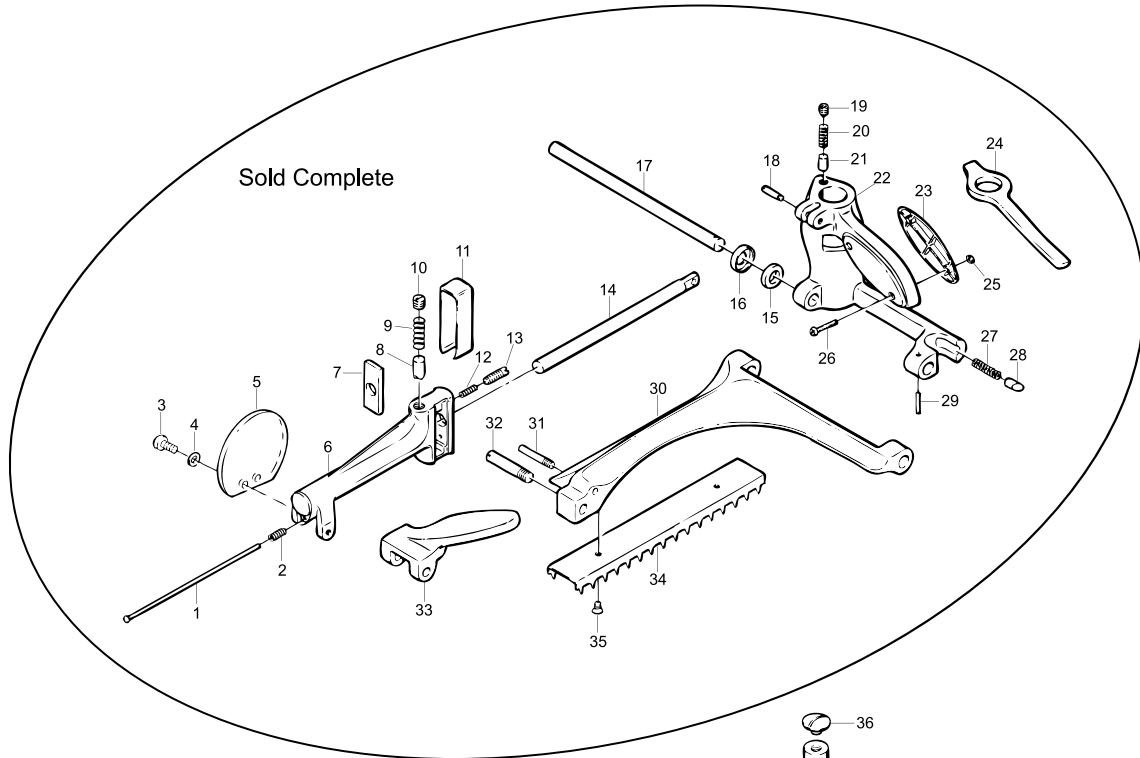
Thickness Adjustor



# Parts Breakdown

Model MS-IT-0300-M 13634

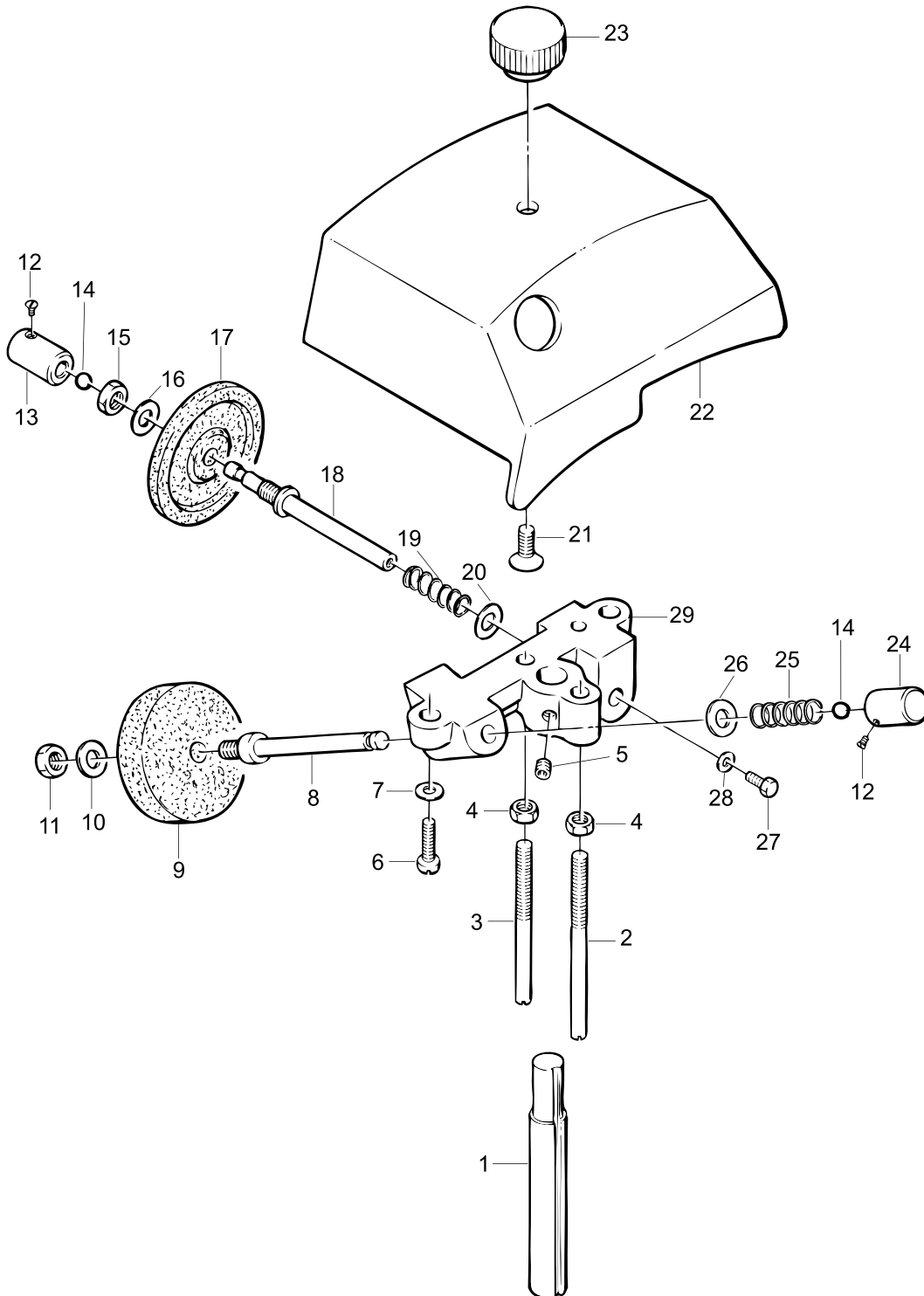
Meat Tray Assembly



# Parts Breakdown

Model MS-IT-0300-M 13634

Sharpening Assembly





# Parts Breakdown

**Model MS-IT-0300-M 13634**

**Base**

Item No.	Description	Position	Item No.	Description	Position	Item No.	Description	Position
33047	Screw Chrome for 13634	1	33058	Chain Link for 13634	12	33069	Washer 12 for 13634	23
33048	Meat Grip Handle for 13634	2	33059	Fly Chain for 13634	13	33070	Nut 12 MA for 13634	24
33049	Flywheel Handle Shaft for 13634	3	33060	Set Screw 6x8 for 13634	14	33071	Bronze Bushing 20x25 for 13634	25
33050	Nut 12 MA for 13634	4	33061	Gear Z45 Pig for 13634	15	33072	Gear Pivot for 13634	26
33051	Screw Chrome for 13634	5	33062	Tapered Pin for 13634	16	33073	Tapered Pin for 13634	27
33052	Flywheel for 13634	6	33063	Bronze Bushing 20x25 for 13634	17	33074	Gear Z16 for 13634	28
33053	Set Screw 6x8 for 13634	7	33064	Gear Shaft for 13634	18	33075	Gear Z32 for 13634	29
33054	Tapered Pin for 13634	8	33065	Oiler for 13634	19	33076	Tapered Pin for 13634	30
33055	Gear Shaft for 13634	9	33066	Axial Bearing for 13634	20	33077	Gear Z16 for 13634	31
33056	Bronze Bushing 20x25 for 13634	10	33067	Washer for 13634	21	33078	Tapered Pin for 13634	32
33057	Flywheel Casing for 13634	11	33068	Bronze Bushing 20x25 for 13634	22	33079	Spacer for 13634	33

## Guide

Item No.	Description	Position	Item No.	Description	Position	Item No.	Description	Position
33080	Thumb Screw for 13634	1	33088	Screw TE 8x30 for 13634	9	33095	Washer 6 for 13634	17
33081	Plate Stop for 13634	2	33089	Screw TC 4x10 for 13634	10	33096	Screw TE 8x20 INOX for 13634	18
33082	Square Bar Support for Plate for 13634	3	37564	Collection Plate for 13634	11	33097	Washer 8 for 13634	19
33083	Washer 8 for 13634	4	33090	Slide Bar Cover for 13634	12	33098	Carriage Rail for 13634	20
33084	Slide Bar Support for 13634	5	33091	Slide Bar Cap for 13634	13	33099	Rail Support for 13634	21
33085	Slide Bar Cap Screw for 13634	6	33092	Carriage Slide Bar for 13634	14	33100	Foot for 13634	22
33086	Slide Bar Cap for 13634	7	33093	Bracket for 13634	15			
33087	Washer 8 for 13634	8	33094	Screw TE 6x16 for 13634	16			

## Rapid Approach

Item No.	Description	Position	Item No.	Description	Position	Item No.	Description	Position
33180	INOX Rod 15 for 13634	1	33188	Pin for 13634	9	33196	Screw TE 6x16 for 13634	17
33181	Spring for 13634	2	33189	Lever Plate for 13634	10	33197	Block Door on Plate for 13634	18
33182	Screw TC 4x7 for 13634	3	33190	Support Mount for 13634	11	33198	Washer 6 for 13634	19
33183	Steel Tab for 13634	4	33191	Spring for 13634	12	33199	Bearing 626 ZZ for 13634	20
33184	Bushing 15 for 13634	5	33192	Screw TE 6x16 for 13634	13	33200	Bearing Stud for 13634	21
33185	Set Screw 5x8 for 13634	6	33193	Comb Block for 13634	14	33201	Set Screw 6x8 for 13634	22
33186	Slide for 13634	7	33194	Screw TPSV 4x7 for 13634	15	33202	Screw TE 6x16 for 13634	23
33187	Handle for 13634	8	33195	Pivot Rod for 13634	16			

# Parts Breakdown

## Model MS-IT-0300-M 13634

## Blade Assembly

Item No.	Description	Position	Item No.	Description	Position	Item No.	Description	Position
33101	Screw Chrome for 13634	1	33115	Washer 8 for 13634	15	33129	Washer 10 for 13634	29
33102	Blade Washer for 13634	2	33116	Carriage Rail for 13634	16	33130	Sharpener Pin for 13634	30
24040	Blade for 13634	3	33117	Carriage Rail Stop for 13634	17	33131	Set Screw 6x8 for 13634	31
33104	Screw TC 5x10 for 13634	4	33118	Thumb Screw for 13634	18	33132	Bearing 6202 ZZ for 13634	32
33105	Bladering Guard for 13634	5	33119	Blade Assembly Casing for 13634	19	33133	Spacer Ring for 13634	33
33106	Thumb Screw for 13634	6	33120	Screw TC 3x5 for 13634	20	33134	Bearing Sleeve for 13634	34
33107	Blade Guard for 13634	7	33121	Hinge for 13634	21	33135	Bearing 6202 ZZ for 13634	35
33108	Blade Guard Thumb Screw for 13634	8	33122	Nut 4 MA for 13634	22	33136	Rubber Pin 5x28 for 13634	36
33109	Screw TC 6x12 for 13634	9	33123	Screw TC 4x20 for 13634	23	33137	Gear Pig Z15 for 13634	37
33110	Washer 6 for 13634	10	33124	Meat Deflector for 13634	24	33138	Bearing and Shaft for 13634	38
33111	Chain Guard for 13634	11	33125	Screw TC 4x10 for 13634	25	33139	Set Screw 6x8 for 13634	39
33112	Pin for 13634	12	33126	Washer 5 for 13634	26	33140	Tray for 13634	40
33113	Foot for 13634	13	33127	Blade Shaft Cap for 13634	27	33141	Screw TE 6x16 for 13634	41
33114	Nut 8 MA for 13634	14	33128	Nut 10 MA for 13634	28	33142	Thumb Screw for 13634	42

## Cart

Item No.	Description	Position	Item No.	Description	Position	Item No.	Description	Position
33143	Joint Bolt for 13634	1	33156	Screw TE 10x40 for 13634	14	33169	Sharpener Support Bracket for 13634	27
33144	Joint for 13634	2	33157	Plate Base for 13634	15	33170	Set Screw 6x8 for 13634	28
33145	O-Ring for 13634	3	33158	Screw TE 8x20 for 13634	16	33171	Plate Support Bar for 13634	29
33146	Nut 10 for 13634	4	33159	Washer 8 for 13634	17	33172	Slide Bar for 13634	30
33147	Rod Lever for 13634	5	33160	Set Screw 5x8 for 13634	18	33173	Bottom Plate Cover for 13634	31
33148	Nut 10 for 13634	6	33161	Bushing 20x25 for 13634	19	33174	Screw TPSV 3x7 for 13634	32
33149	Support Mount for 13634	7	33162	Carriage Support for 13634	20	33175	Washer 8 for 13634	33
33150	Pin 5x12 INOX for 13634	8	33163	Set Screw 5x8 for 13634	21	33176	Bearing 608 ZZ for 13634	34
33151	Set Screw 6x40 for 13634	9	33164	Bottom Plate for 13634	22	33177	Pin for 13634	35
33152	Washer 12 for 13634	10	33165	Plate Support Bar for 13634	23	33178	Screw TPSV 6x12 for 13634	36
33153	Screw TPSV 8x16 for 13634	11	33166	Screw TPSV 4x18 for 13634	24	33179	Set Screw 6x8 for 13634	37
33154	Washer for 13634	12	33167	Screw TC 5x10 for 13634	25			
33155	Joint for 13634	13	33168	Screw TE 8x20 for 13634	26			



# Parts Breakdown

## Model MS-IT-0300-M 13634

## Thickness Adjustor

Item No.	Description	Position	Item No.	Description	Position	Item No.	Description	Position
33203	Handle for 13634	1	33216	Set Screw 6x6 for 13634	14	33229	Screw TPSV 4x10 for 13634	27
33204	Set Screw 5x8 for 13634	2	33217	Screw TC 4x5 INOX for 13634	15	33231	Feed Screw Shaft for 13634	29
33205	Spring for 13634	3	33218	Washer 4 for 13634	16	33232	O-Ring for 13634	30
33206	Adjustment Wheel for 13634	4	33219	Small Spring for 13634	17	33233	Washer 6 for 13634	31
33207	Cam for 13634	5	33220	Screw TE 6x16 for 13634	18	33234	Nut with Non-Stick Coating for 13634	32
33208	Indicator Numbers for 13634	6	33221	Small Skip Latch for 13634	19	33235	Nut for 13634	33
33209	Copper Rivet for 13634	7	33222	Big Skip Latch for 13634	20	33236	Screw TC 4x16 for 13634	34
33210	Screw TC 5x10 for 13634	8	33223	Set Screw for 13634	21	33237	Large Spring for 13634	35
33211	Set Screw for 13634	9	33224	Set Screw PVC 8 for 13634	22	33238	Set Screw for 13634	36
33212	Screw TC 4x10 for 13634	10	33225	Skip Block for 13634	23	33239	Washer 8 for 13634	37
33213	Washer for 13634	11	33226	Washer 6 for 13634	24	33240	Nut 8 for 13634	38
33214	Bracket for 13634	12	33227	Screw TE 6x20 for 13634	25			
33215	Gear for 13634	13	33228	Bushing 12 for 13634	26			

## Meat Tray Assembly

Item No.	Description	Position	Item No.	Description	Position	Item No.	Description	Position
33241	Complete Arm Assembly for 13634	1 - 35	33245	Spacer for 13634	39	33249	Plate Lock for 13634	43
33242	Screw Chrome for 13634	36	33246	Thumb Screw for 13634	40	33250	Top Plate for 13634	44
33243	Long Column for 13634	37	33247	Set Screw 12 for 13634	41			
33244	Short Column for 13634	38	33248	Screw TPSV 4x10 for 13634	42			

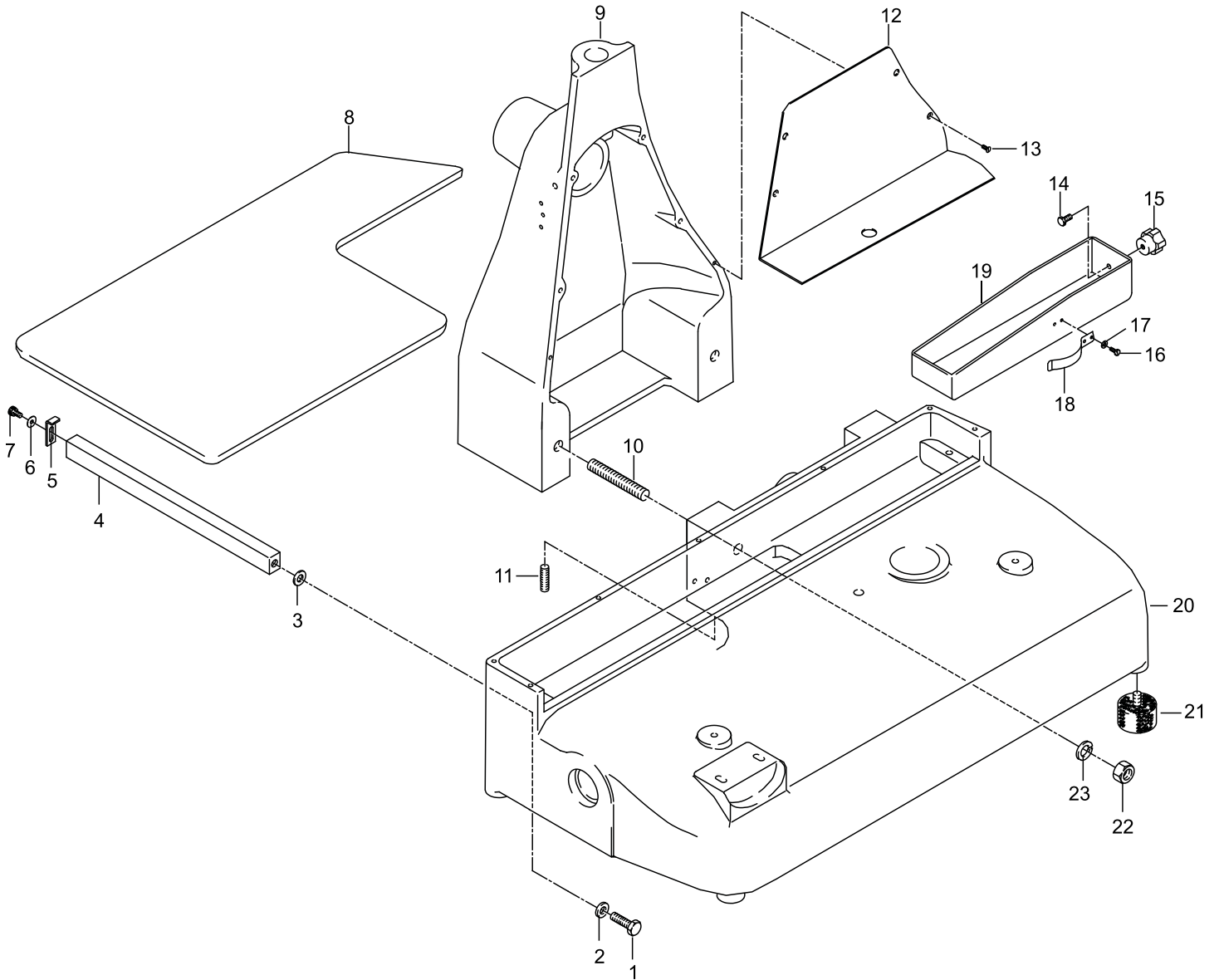
## Sharpening Assembly

Item No.	Description	Position	Item No.	Description	Position	Item No.	Description	Position
33251	Shaft for Sharpener for 13634	1	33261	Push Button Screw for 13634	12	33268	Washer 6 for 13634	20
33252	Pin for 13634	2	31196	Screw for 13634	12	33269	Screw TPSV 6x12 for 13634	21
33253	Pin for 13634	3	31197	Sharpener Push Pin for 13634	13	33270	Sharpener Cover for 13634	22
33254	Nut 5 for 13634	4	33262	Sharpener Push Button for 13634	13	33271	Sharpener Cover Knob for 13634	23
33255	Set Screw 6x8 for 13634	5	33263	Ball Bearing for 13634	14	33272	Sharpener Push Button for 13634	24
33256	Screw TC 4x16 for 13634	6	33264	Nut 6 for 13634	15	33273	Spring for 13634	25
33257	Washer 5 for 13634	7	33265	Washer 6 for 13634	16	33274	Washer for 13634	26
33258	Sharpener Pin for 13634	8	33545	45x13x6 Sharpening Stone for 13634	17	33275	Screw TC 3 for 13634	27
18016	Omcan G Stone 50x08x06 for 13634	9	33266	Sharpener Pin for 13634	18	33276	Washer 3 for 13634	28
33259	Washer 6 for 13634	10	31198	Shaft for 13634	18	33277	Sharpener Body for 13634	29
33260	Nut 6 for 13634	11	33267	Spring for 13634	19			

# Parts Breakdown

Model MS-IT-0350-M 13639

Base

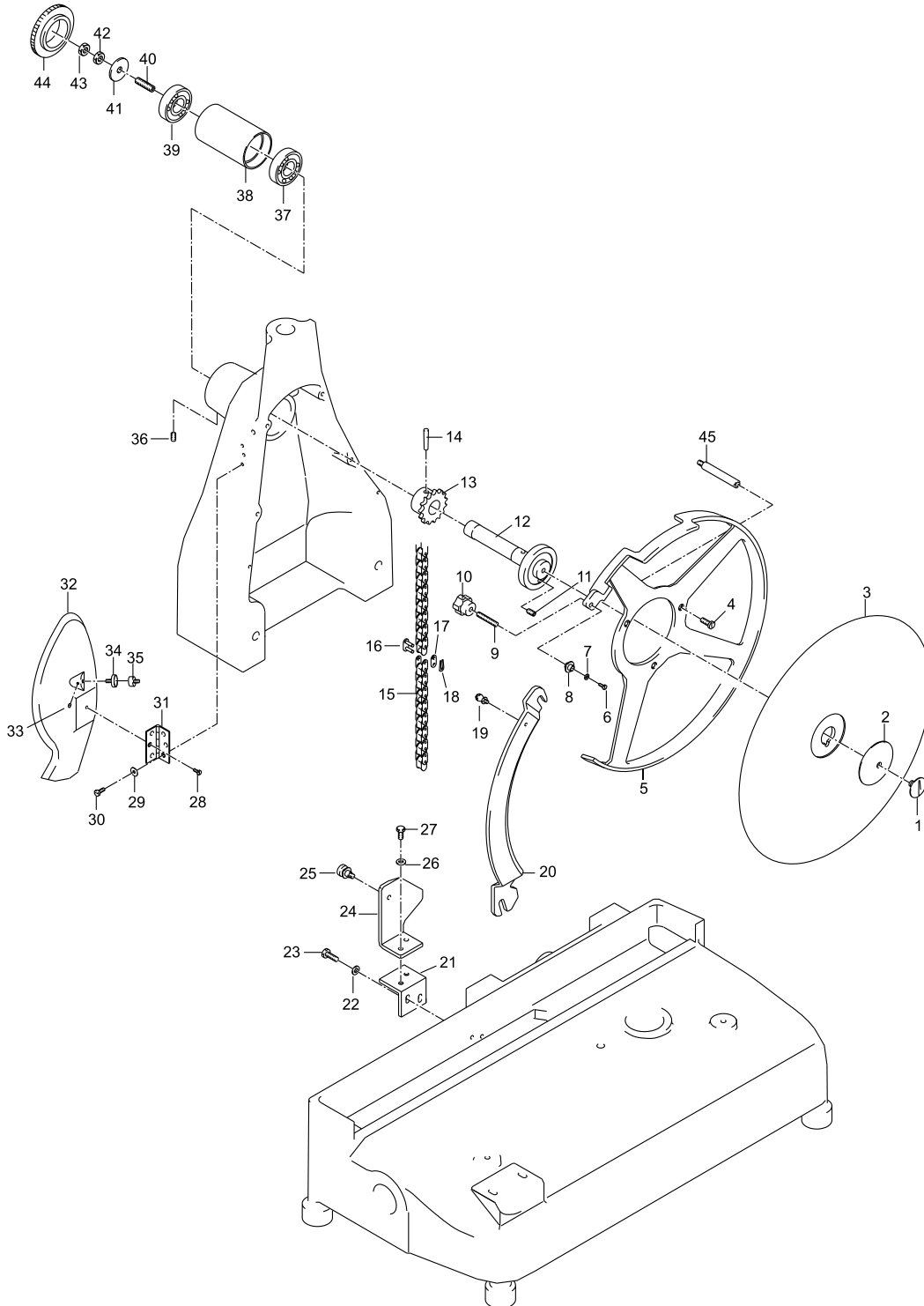




# Parts Breakdown

Model MS-IT-0350-M 13639

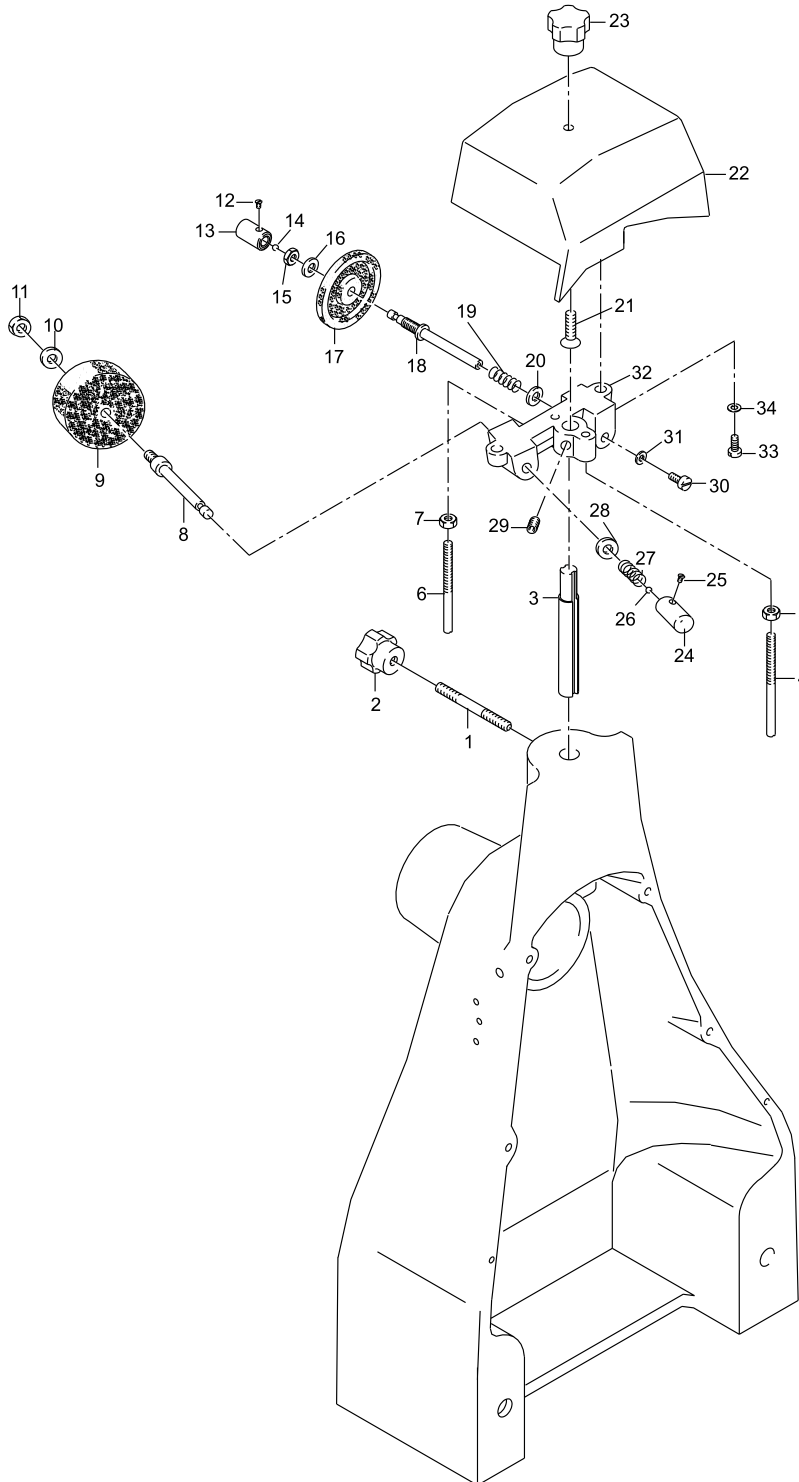
Blade Assembly



# Parts Breakdown

Model MS-IT-0350-M 13639

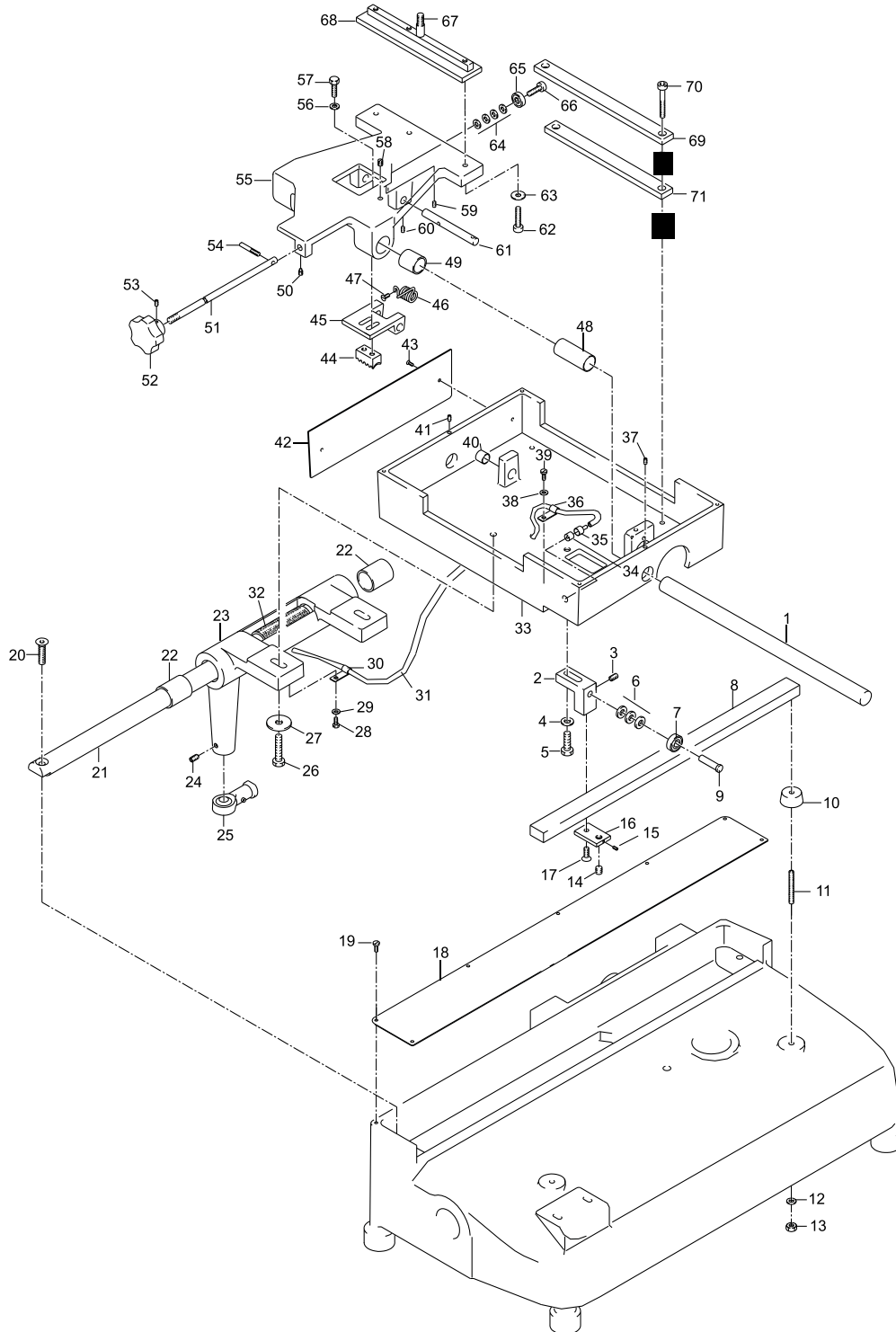
Sharpening Assembly



# Parts Breakdown

Model MS-IT-0350-M 13639

Cart

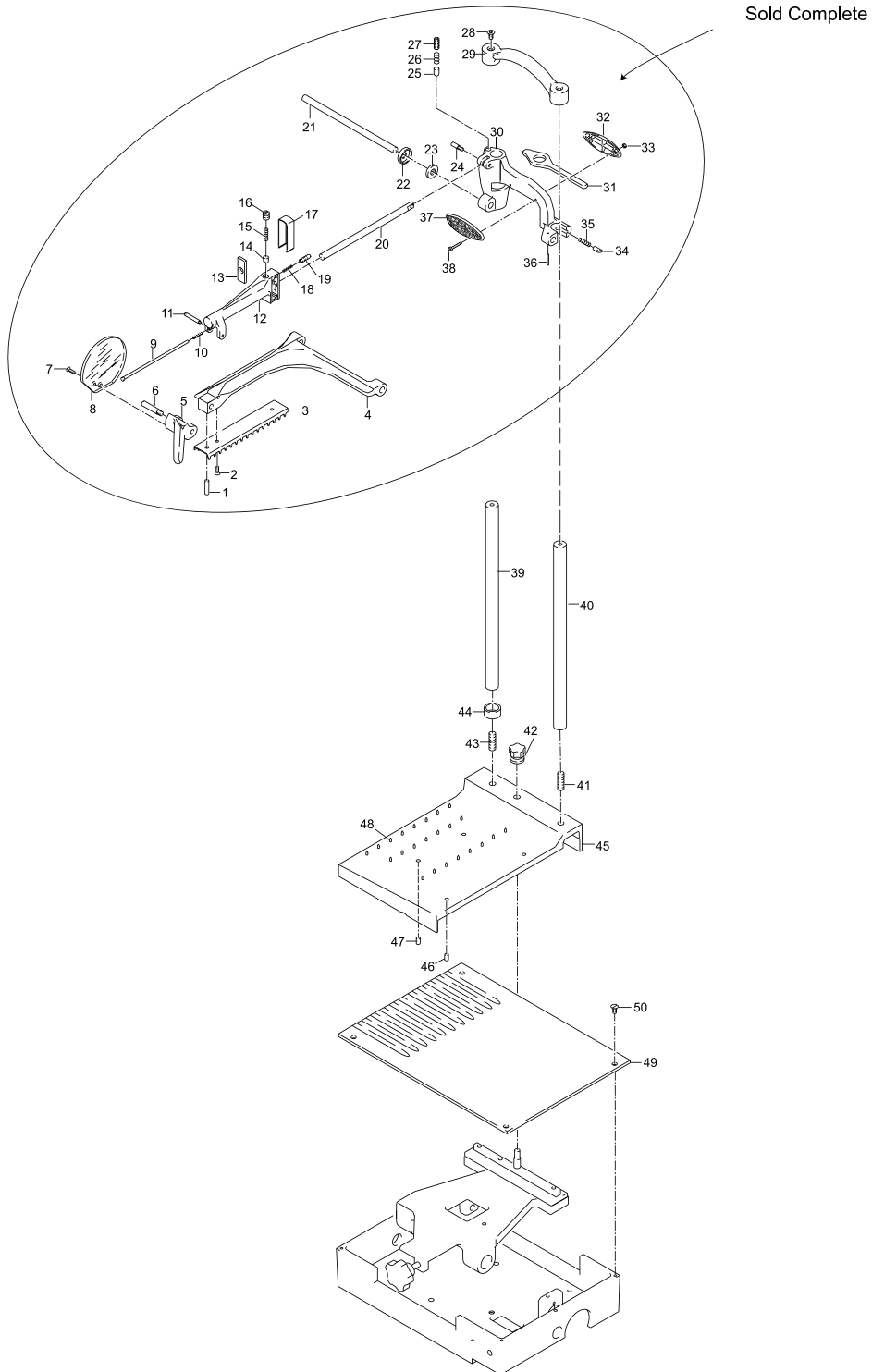




# Parts Breakdown

Model MS-IT-0350-M 13639

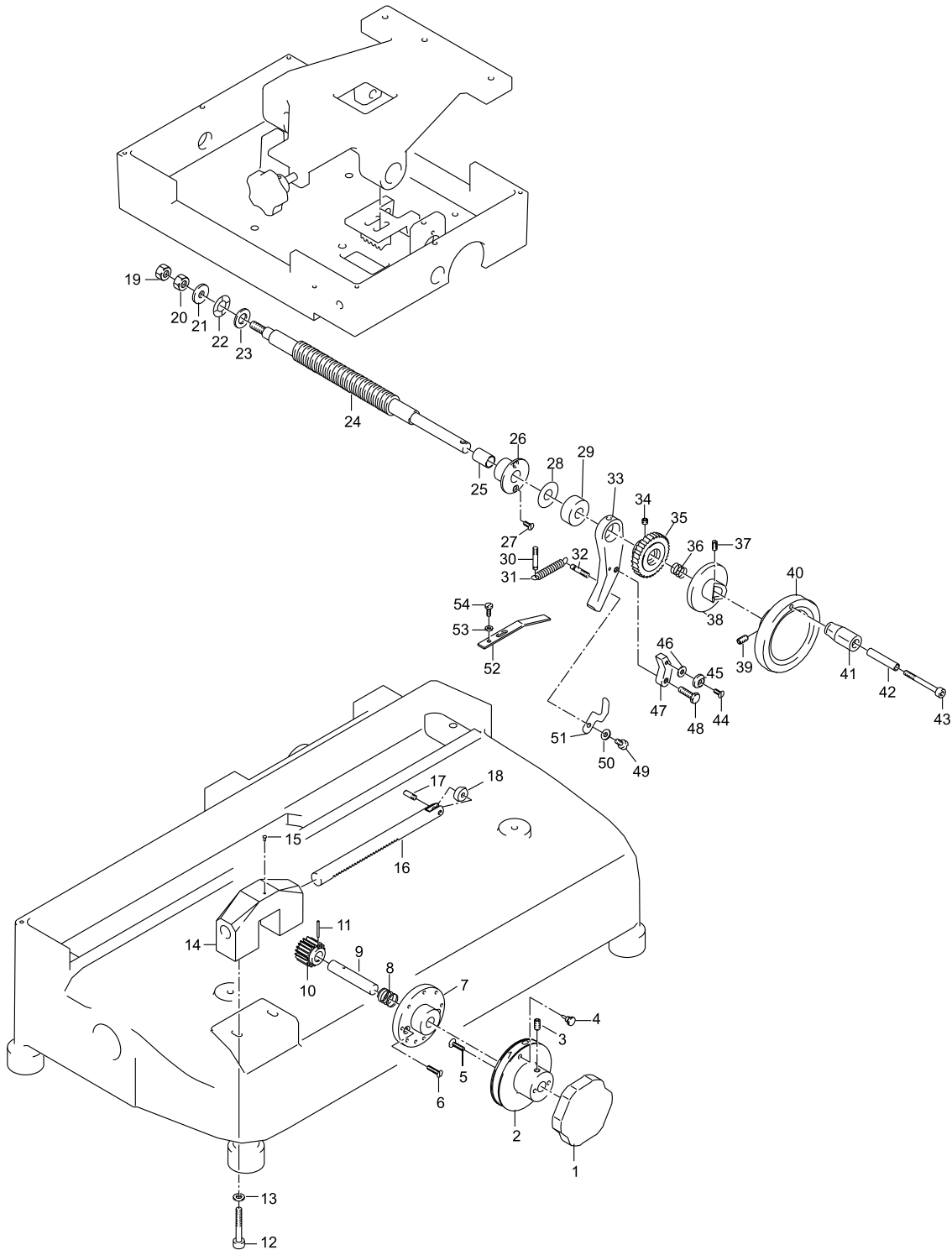
Meat Tray Assembly



# Parts Breakdown

Model MS-IT-0350-M 13639

Advancement Cart

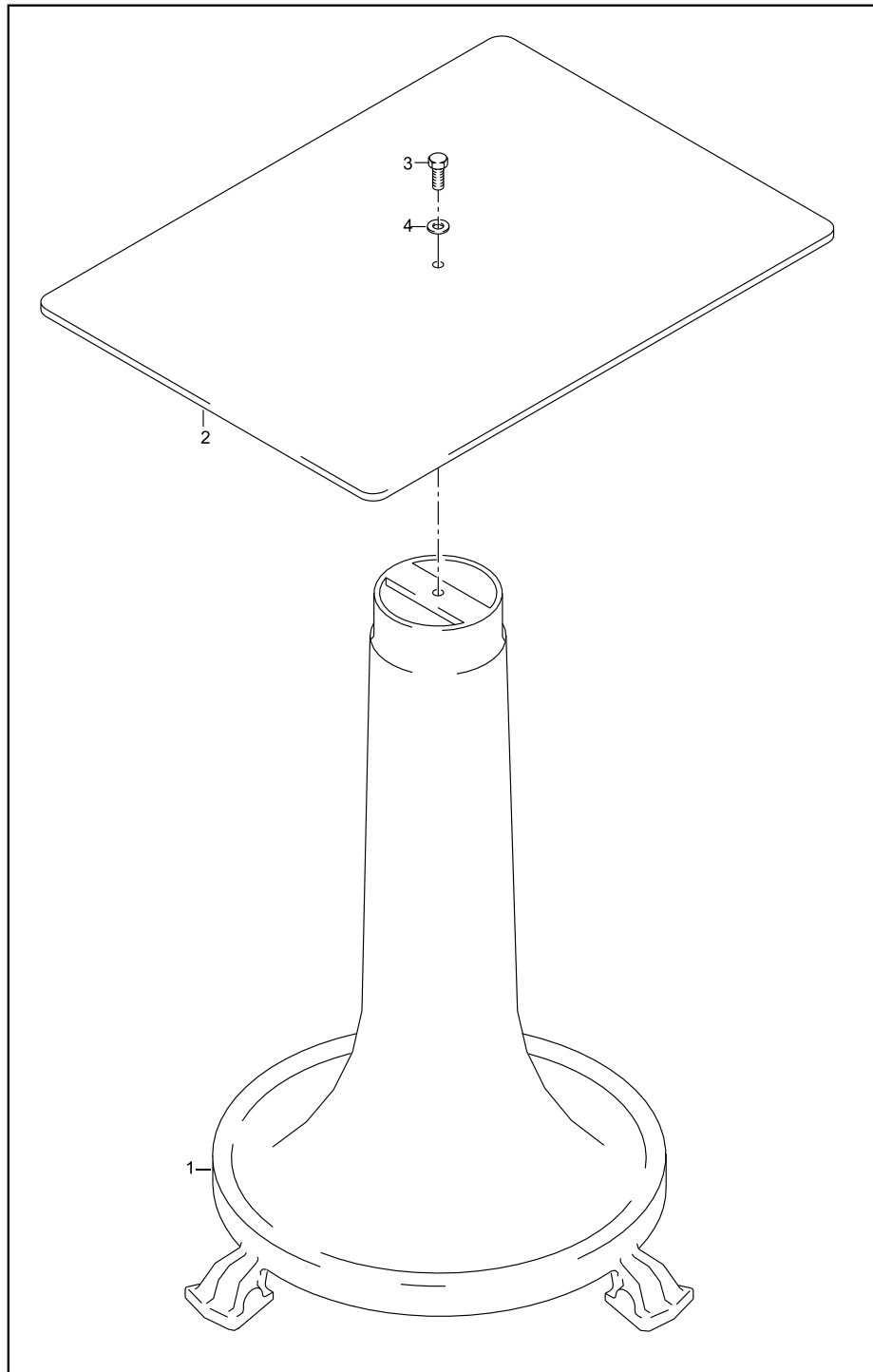


# Parts Breakdown

Model **MS-IT-0350-M** 13639

**Support Stand**

Sold Complete



# Parts Breakdown

**Model MS-IT-0350-M 13639**

**Base**

Item No.	Description	Position	Item No.	Description	Position	Item No.	Description	Position
33278	Screw TE for 13639	1	33285	Tray for 13639	8	33292	Thumb Screw for 13639	15
33279	Washer for 13639	2	33286	Blade Assembly Casing for 13639	9	33293	Screw for 13639	16
33280	Washer for 13639	3	33287	Pin for 13639	10	33296	Tray for 13639	19
33281	Square Bar Support for Plate for 13639	4	33288	Pin for 13639	11	33297	Housing for 13639	20
33282	Plate Stop for 13639	5	33289	Chain Guard for 13639	12	33298	Foot for 13639	21
33283	Washer for 13639	6	33290	Screw for 13639	13	33299	Nut for 13639	22
33284	Screw for 13639	7	33291	Screw for 13639	14	33300	Washer for 13639	23

**Flywheel**

Item No.	Description	Position	Item No.	Description	Position	Item No.	Description	Position
33301	Gear Pivot for 13639	1	33319	Axial Bearing for 13639	19	33337	Oiler for 13639	37
33302	Gear for 13639	2	33320	Gear for 13639	20	33338	Oiler for 13639	38
33303	Rod / Counter for 13639	3	33321	Tapered Pin for 13639	21	33339	Bushing for 13639	39
33304	Set Screw for 13639	4	33322	Gear for 13639	22	33340	Gear Shaft for 13639	40
33305	Screw for 13639	5	33323	Tapered Pin for 13639	23	33341	Axial Bearing for 13639	41
33306	Washer for 13639	6	33324	Axial Bearing for 13639	24	33342	Axial Bearing for 13639	42
33307	Joint for 13639	7	33325	Axial Bearing for 13639	25	33343	Axial Bearing for 13639	43
33308	Screw for 13639	8	33326	Axial Bearing for 13639	26	33344	Set Screw for 13639	44
33309	Nut for 13639	9	33327	Screw Chrome for 13639	27	33345	Gear for 13639	45
33310	Pin for 13639	10	33328	Meat Grip Handle for 13639	28	33346	Cap for 13639	46
33311	Nut for 13639	11	33329	Pin for 13639	29	33347	Screw for 13639	47
33312	Joint for 13639	12	33330	Nut for 13639	30	33348	Pin for 13639	48
33313	Washer for 13639	13	33331	Tapered for 13639	31	33349	Washer for 13639	49
33314	Washer for 13639	14	33332	Screw Chrome for 13639	32	33350	Bearing for 13639	50
33315	Carriage Slide Bar for 13639	15	33333	Fly Wheel for 13639	33	33351	Spacer for 13639	51
33316	Axial Bearing for 13639	16	33334	Set Screw for 13639	34	33352	Bearing for 13639	52
33317	Axial Bearing for 13639	17	33350	Bearing for 13639	35			
33318	Axial Bearing for 13639	18	33336	Bushing for 13639	36			



# Parts Breakdown

## Model MS-IT-0350-M 13639

## Blade Assembly

Item No.	Description	Position	Item No.	Description	Position	Item No.	Description	Position
33353	Screw Chrome for 13639	1	33368	Chain Link for 13639	16	33383	Hinge for 13639	31
33354	Blade Washer for 13639	2	33369	Chain Link for 13639	17	33384	Meat Deflector for 13639	32
24041	Blade for 13639	3	33370	Chain Link for 13639	18	33385	Set Screw for 13639	33
33356	Screw TC 5x10 for 13639	4	33371	Thumb Screw for 13639	19	33386	Screw for 13639	34
33357	Bladering Guard for 13639	5	33372	Blade Guard for 13639	20	33387	Screw for 13639	35
33358	Screw for 13639	6	33373	Bracket for 13639	21	33388	Set Screw for 13639	36
33359	Washer for 13639	7	33374	Washer for 13639	22	33389	Bearing for 13639	37
33360	Spacer for 13639	8	33375	Screw for 13639	23	33390	Bearing Sleeve for 13639	38
33361	Set Screw for 13639	9	33376	Bracket for 13639	24	33391	Bearing for 13639	39
33362	Thumb Screw for 13639	10	33377	Screw for 13639	25	33392	Pin for 13639	40
33363	Set Screw for 13639	11	33378	Washer for 13639	26	33393	Washer for 13639	41
33364	Bearing and Shaft for 13639	12	33379	Screw for 13639	27	33394	Nut for 13639	42
33365	Gear Pig Z 15 for 13639	13	33380	Screw for 13639	28	33395	Nut for 13639	43
33366	Tapered Pin for 13639	14	33381	Washer for 13639	29	33396	Blade Shaft Cap for 13639	44
33367	Chain for 13639	15	33382	Screw for 13639	30	39117	Support Pin for 13639	45

## Sharpening Assembly

Item No.	Description	Position	Item No.	Description	Position	Item No.	Description	Position
33537	Pin for 13639	1	33549	Sharpener Push Button for 13639	13	33561	Push Button Screw for 13639	25
33538	Knob for 13639	2	33550	Ball Bearing for 13639	14	33550	Ball Bearing for 13639	26
33539	Shaft for Sharpener for 13639	3	33547	Nut for 13639	15	33563	Spring for 13639	27
33540	Pin for 13639	4	33546	Washer for 13639	16	33564	Washer for 13639	28
33541	Nut for 13639	5	33545	45x13x6 Sharpening Stone for 13639	17	33565	Set Screw for 13639	29
33542	Pin for 13639	6	33554	Sharpener Pin for 13639	18	33566	Screw for 13639	30
33543	Nut for 13639	7	33555	Spring for 13639	19	33567	Washer for 13639	31
33544	Sharpener Pin for 13639	8	33546	Washer for 13639	20	33568	Sharpener Body for 13639	32
18016	Omcan G Stone 50x08x06 for 13639	9	33557	Screw for 13639	21	33569	Screw for 13639	33
33546	Washer for 13639	10	33558	Sharpener Cover for 13639	22	33570	Washer for 13639	34
33547	Nut for 13639	11	33559	Sharpener Cover Knob for 13639	23			
33548	Push Button Screw for 13639	12	33560	Sharpener Push Button for 13639	24			

# Parts Breakdown

**Model MS-IT-0350-M 13639**

**Cart**

Item No.	Description	Position	Item No.	Description	Position	Item No.	Description	Position
33397	Rod for 13639	1	33422	Screw for 13639	26	33447	Rod for 13639	51
33398	Sharpener Support Bracket for 13639	2	33423	Washer for 13639	27	33448	Knob for 13639	52
33399	Set Screw for 13639	3	33424	Screw for 13639	28	33449	Set Screw for 13639	53
33400	Washer for 13639	4	33425	Washer for 13639	29	33450	Pin for 13639	54
33401	Screw for 13639	5	33426	Wire Bracket for 13639	30	33451	Slide for 13639	55
33402	Washer for 13639	6	33427	Cable for 13639	31	33452	Washer for 13639	56
33403	Bearing for 13639	7	33428	Wick for 13639	32	33453	Screw for 13639	57
33404	Carriage Rail for 13639	8	33429	Plate Base for 13639	33	33454	Set Screw for 13639	58
33405	Pin for 13639	9	33430	Screw for 13639	34	33455	Set Screw for 13639	59
33406	Foot for 13639	10	33431	Screw for 13639	35	33456	Set Screw for 13639	60
33407	Pin for 13639	11	33432	Wire Bracket for 13639	36	33457	Tapered Pin for 13639	61
33408	Washer for 13639	12	33433	Set Screw for 13639	37	33458	Screw for 13639	62
33409	Nut for 13639	13	33434	Washer for 13639	38	33459	Washer for 13639	63
33410	Set Screw for 13639	14	33435	Screw for 13639	39	33460	Washer for 13639	64
33411	Set Screw for 13639	15	33436	Bushing for 13639	40	33461	Bearing for 13639	65
33412	Flat Bracket for 13639	16	33437	Set Screw for 13639	41	33462	Pin for 13639	66
33413	Screw for 13639	17	33438	Bottom Plate Cover for 13639	42	33463	Pin for 13639	67
33414	Slide Bar Cover for 13639	18	33439	Screw for 13639	43	33464	Mount for 13639	68
33415	Screw for 13639	19	33440	Comb Block for 13639	44	33465	Plate for 13639	69
33416	Screw for 13639	20	33441	Support Mount for 13639	45	33466	Screw for 13639	70
33417	Carriage Slide Bar for 13639	21	33442	Spring for 13639	46	33467	Plate for 13639	71
33418	Bushing for 13639	22	33443	Screw for 13639	47	33468	Washer for 13639	73
33419	Carriage Support for 13639	23	33444	Bushing for 13639	48	33469	Washer for 13639	74
33420	Set Screw for 13639	24	33445	Bushing for 13639	49			
33421	Joint for 13639	25	33446	Set Screw for 13639	50			

## Meat Tray Assembly

Item No.	Description	Position	Item No.	Description	Position	Item No.	Description	Position
33524	Complete Arm Assembly for 13639	1 - 38	33529	Set Screw for 13639	43	33534	Steel Pin for 13639	48
33525	Column for 13639	39	33530	Spacer for 13639	44	33535	Bottom Plate for 13639	49
33526	Column for 13639	40	33531	Top Plate for 13639	45	33536	Screw for 13639	50
33527	Set Screw for 13639	41	33532	Set Screw for 13639	46			
33528	Tightening Knob for 13639	42	33533	Set Screw for 13639	47			

# Parts Breakdown

**Model MS-IT-0350-M** 13639

**Advancement Cart**

Item No.	Description	Position	Item No.	Description	Position	Item No.	Description	Position
33470	Index Knob for 13639	1	33488	Nut for 13639	19	33506	Set Screw for 13639	37
33471	Indicator Numbers for 13639	2	33489	Nut for 13639	20	33507	Wheel Plate for 13639	38
33472	Set Screw for 13639	3	33490	Washer for 13639	21	33508	Set Screw for 13639	39
33473	Screw for 13639	4	33491	Wavy Washer for 13639	22	33509	Fly Wheel Assembly for 13639	40
33474	Screw for 13639	5	33492	Washer for 13639	23	33510	Handle for 13639	41
33475	Screw for 13639	6	33493	Feed Screw Shaft for 13639	24	33511	Threaded Pin for 13639	42
33476	Cam for 13639	7	33494	Bushing for 13639	25	33512	Socket Head Screw for 13639	43
33477	Spring for 13639	8	33495	Feed Screw Bushing for 13639	26	33513	Screw for 13639	44
33478	Pin for 13639	9	33496	Screw for 13639	27	33514	Nut for 13639	45
33479	Gear for 13639	10	33497	Washer for 13639	28	33515	Washer for 13639	46
33480	Tapered Pin for 13639	11	33498	Spacer for 13639	29	33516	Small Skip Latch for 13639	47
33481	Screw for 13639	12	33499	Pin for 13639	30	33517	Screw for 13639	48
33482	Washer for 13639	13	33500	Spring for 13639	31	33518	Screw for 13639	49
33483	Index Mount for 13639	14	33501	Pin for 13639	32	33519	Washer for 13639	50
33484	Rivet for 13639	15	33502	Large Skip Latch for 13639	33	33520	Spring and Latch for 13639	51
33485	Cam Pin for 13639	16	33503	Set Screw for 13639	34	33521	Spring for 13639	52
33486	Set Screw for 13639	17	33504	Gear for 13639	35	33522	Washer for 13639	53
33487	Bearing PVC for 13639	18	33505	Spring for 13639	36	33523	Screw for 13639	54

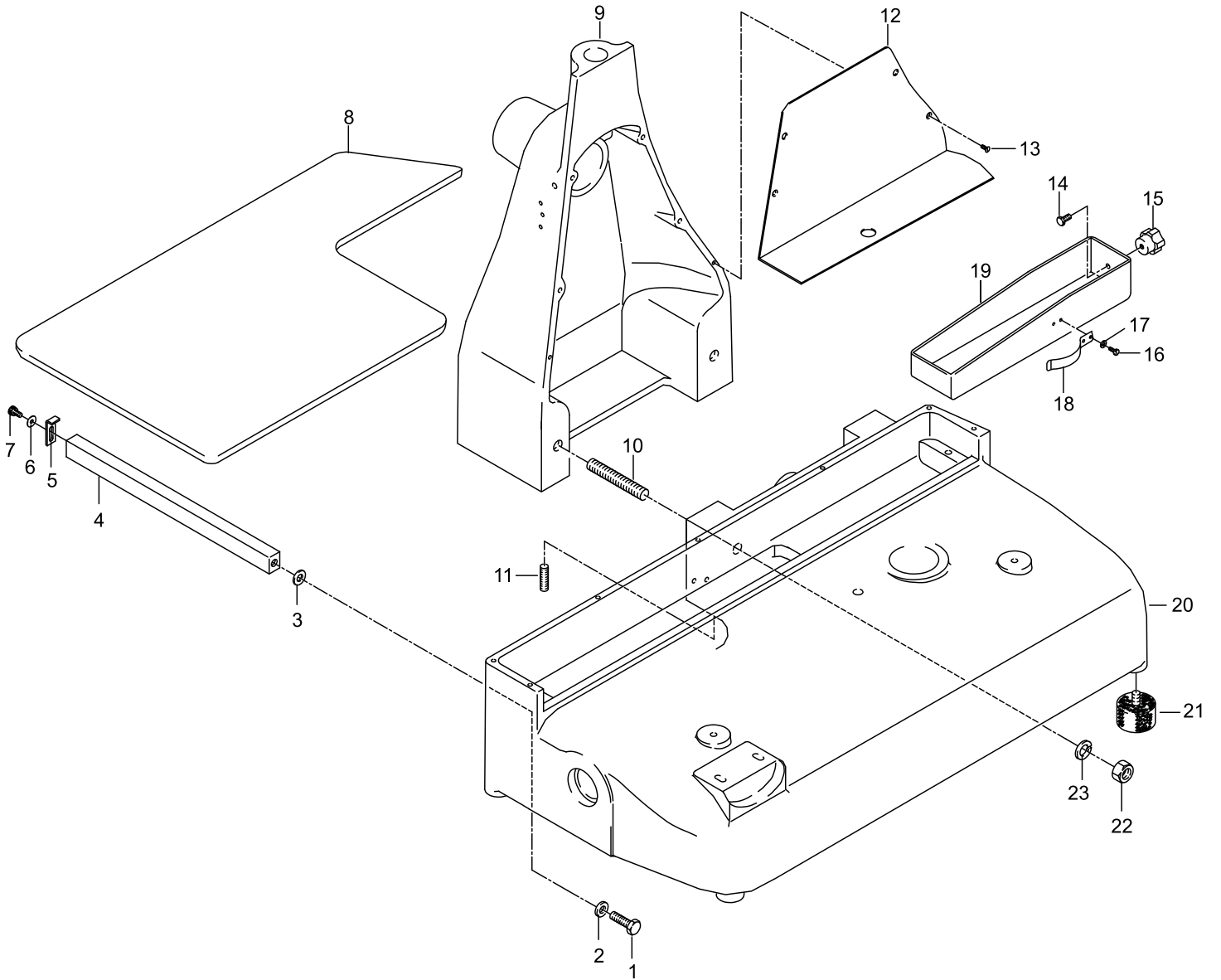
## Support Stand

Item No.	Description	Position
33571	Pedestal Base for 13639	1 - 4

# Parts Breakdown

Model MS-IT-0370-M 18830

Stand

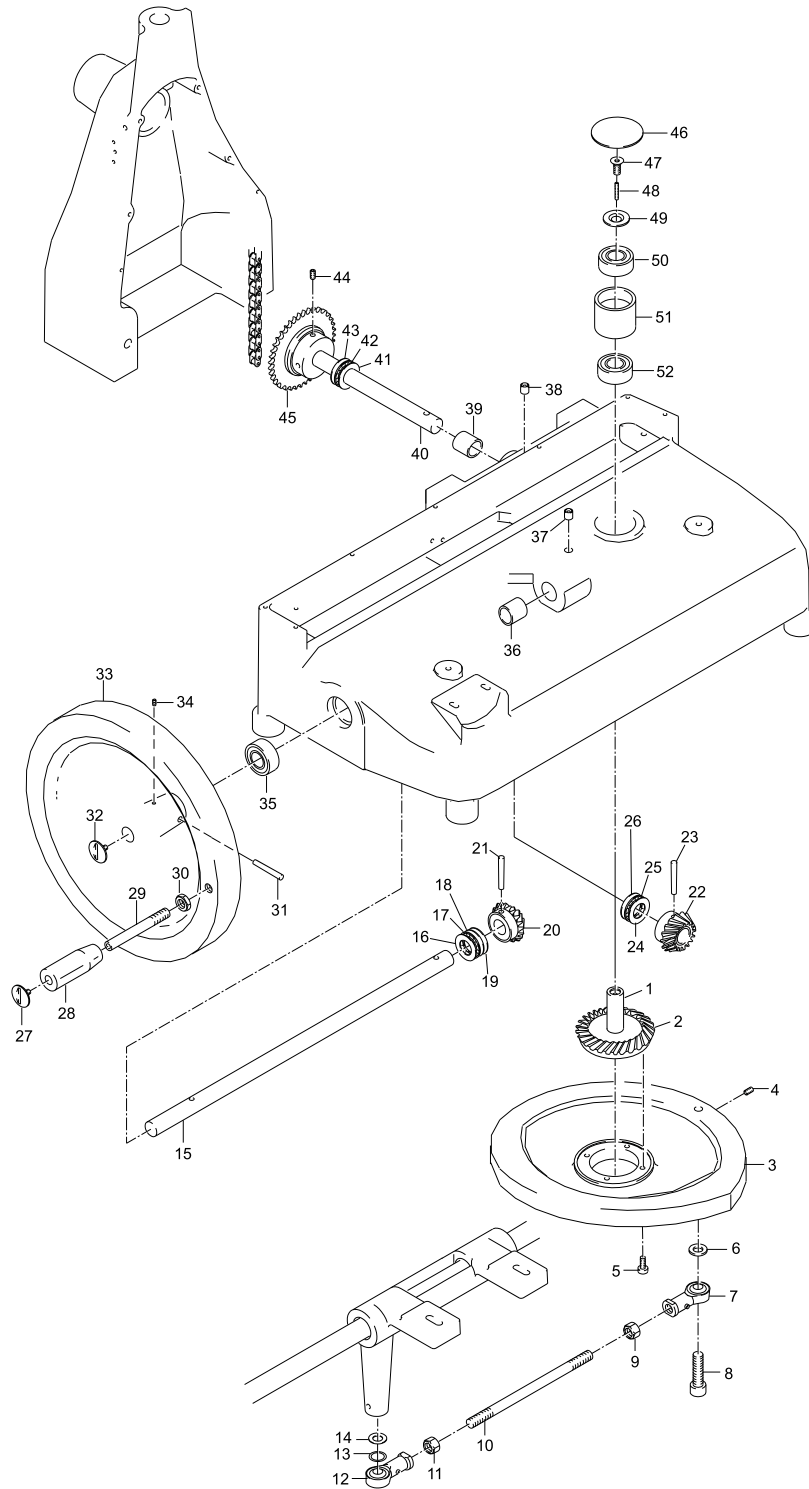




# Parts Breakdown

Model MS-IT-0370-M 18830

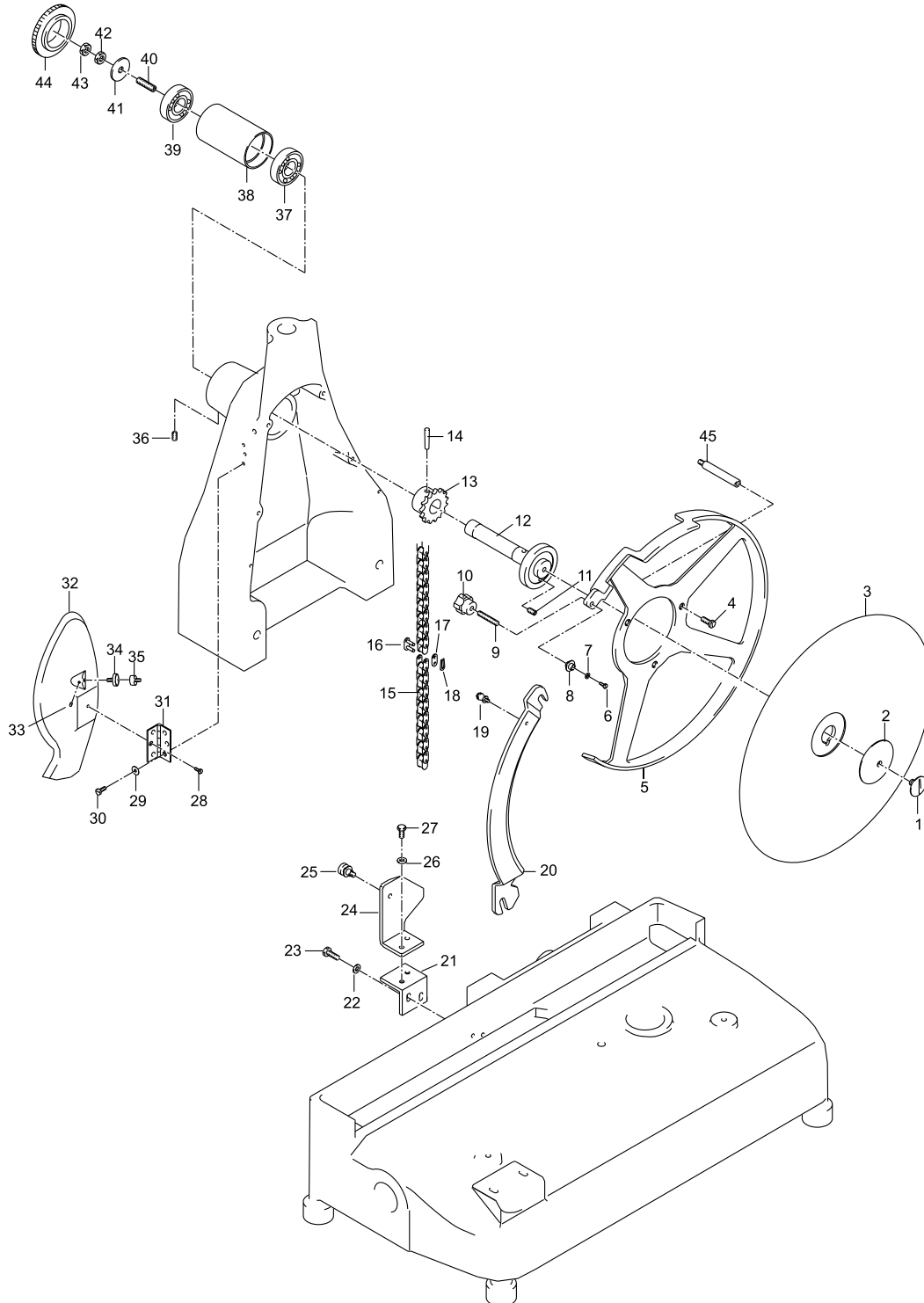
Flywheel



# Parts Breakdown

Model MS-IT-0370-M 18830

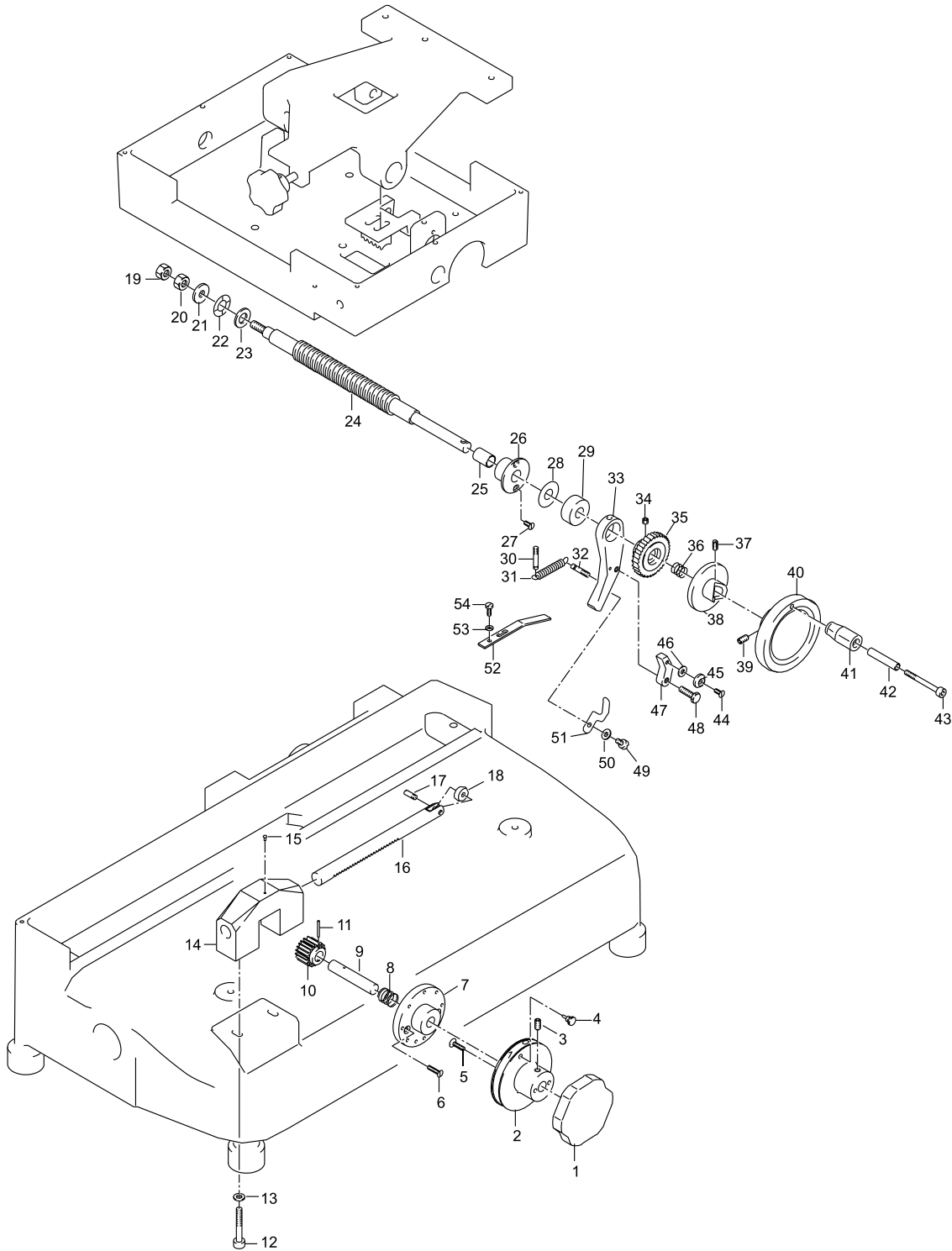
Blade Assembly



# Parts Breakdown

Model MS-IT-0370-M 18830

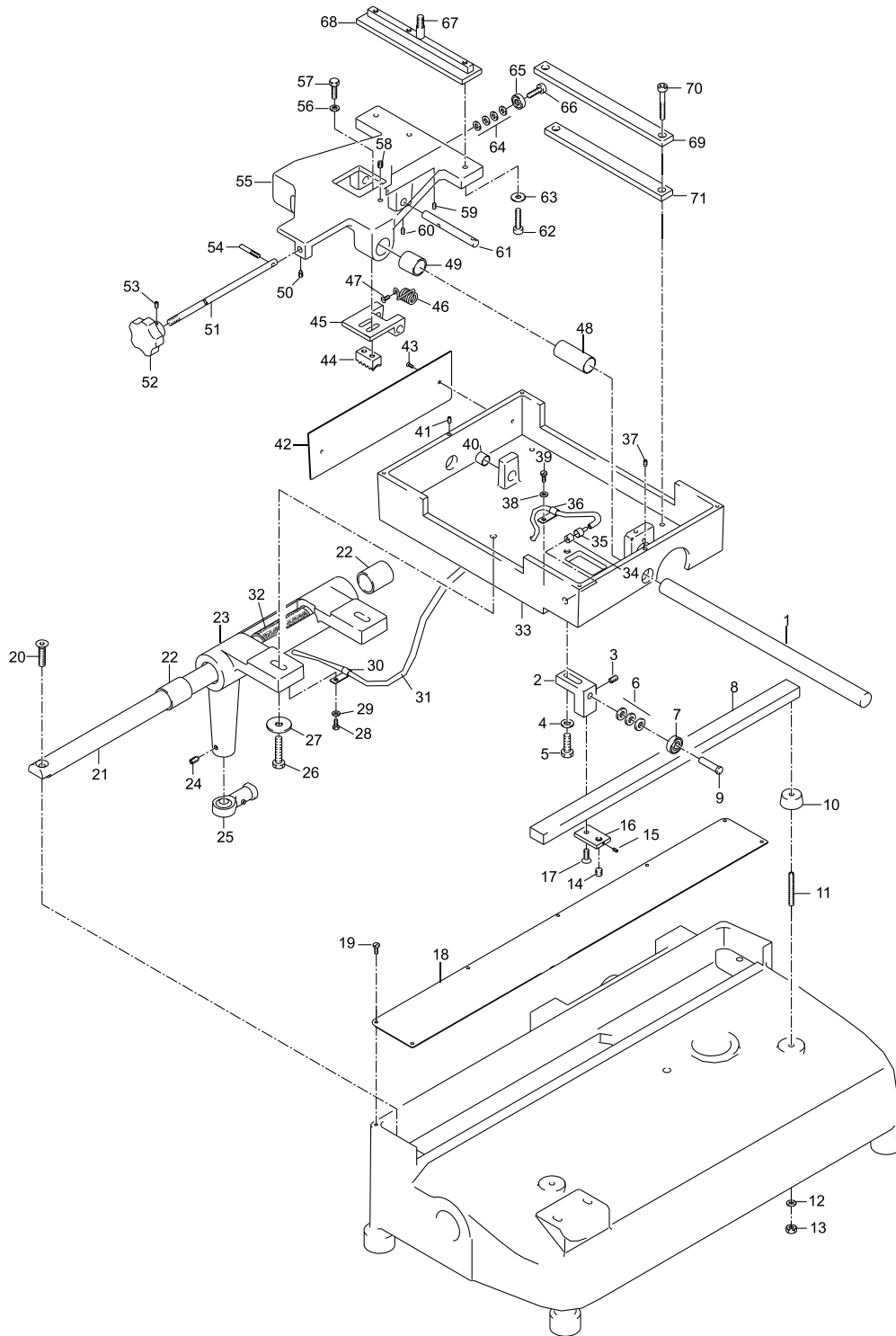
Advancement Cart



# Parts Breakdown

Model MS-IT-0370-M 18830

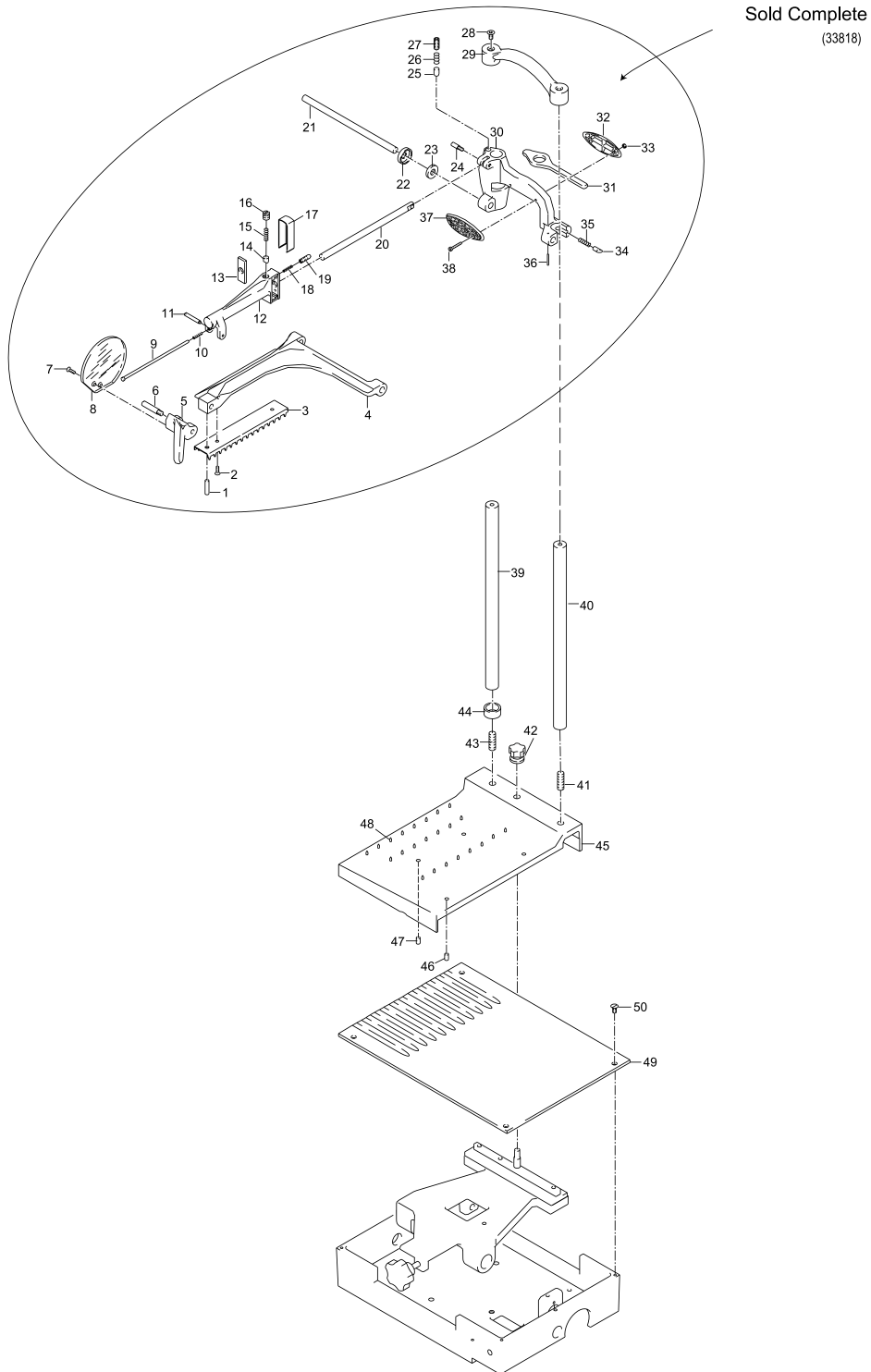
Cart



# Parts Breakdown

Model MS-IT-0370-M 18830

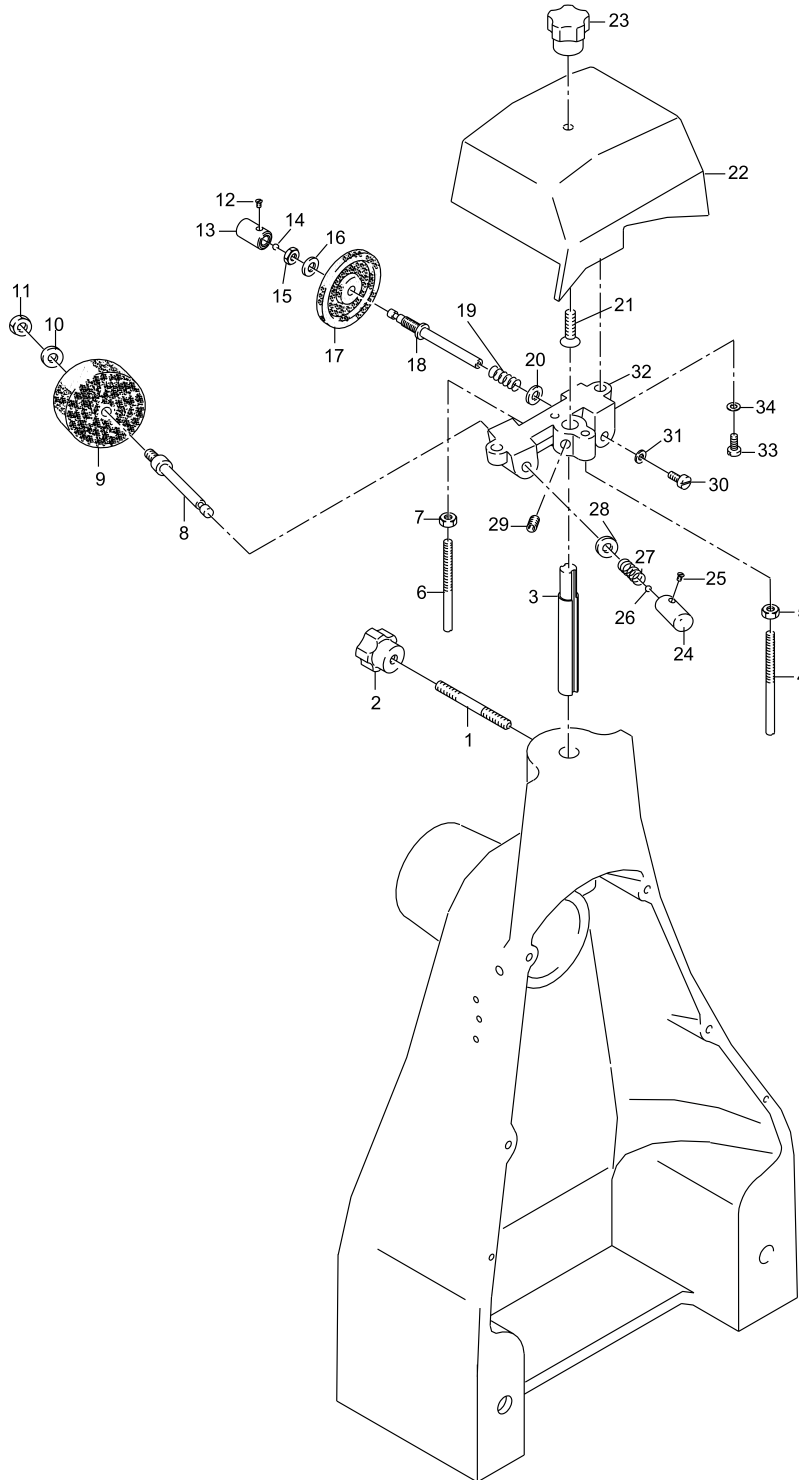
Meat Tray Assembly



# Parts Breakdown

Model MS-IT-0370-M 18830

Sharpening Assembly

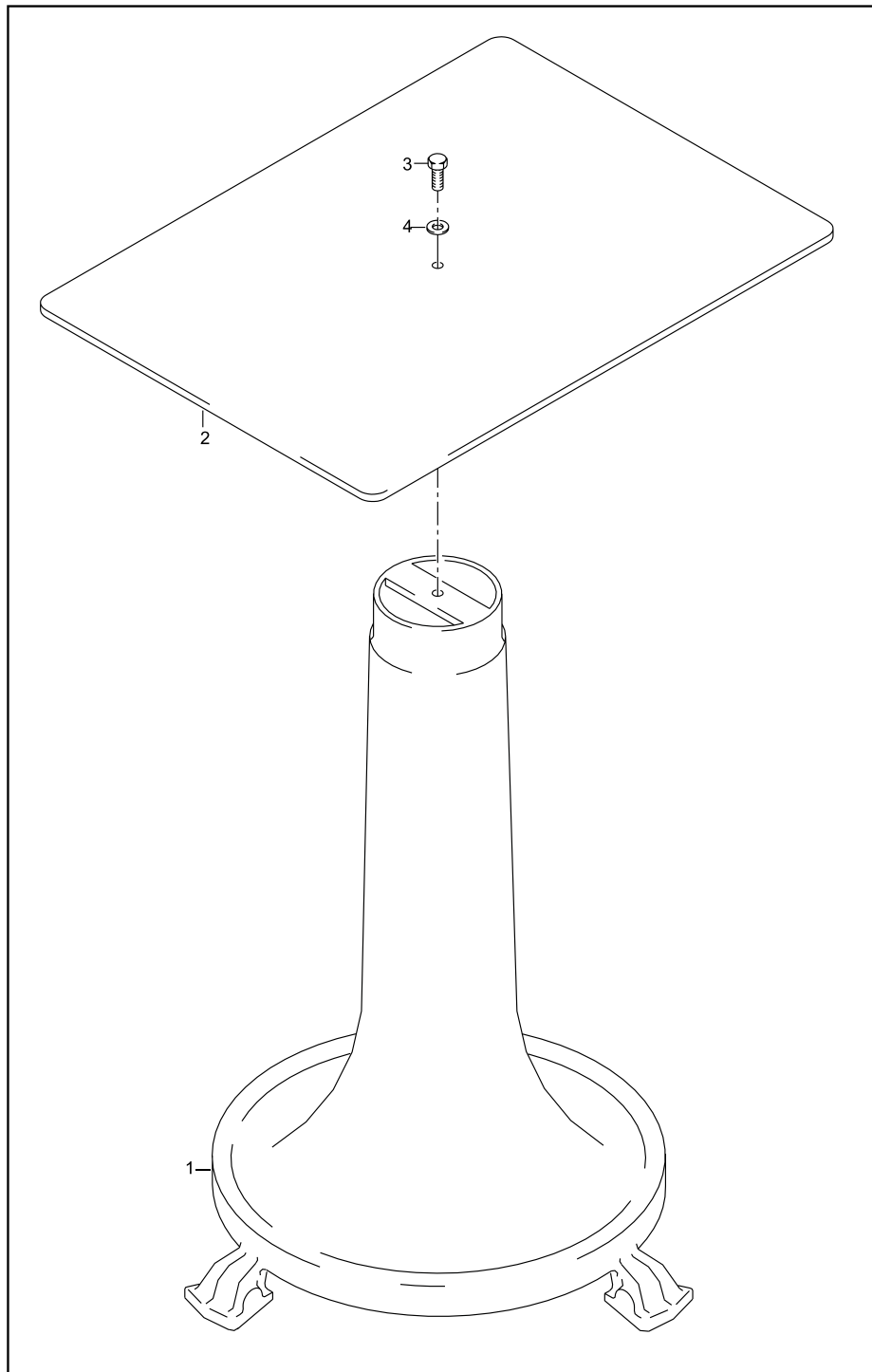


# Parts Breakdown

Model **MS-IT-0370-M** 18830

**Support Stand**

Sold Complete



# Parts Breakdown

**Model MS-IT-0370-M 18830**

**Stand**

Item No.	Description	Position	Item No.	Description	Position	Item No.	Description	Position
33572	Screw TE for 18830	1	33580	Blade Assembly Casing for 18830	9	33588	Washer for 18830	17
33573	Washer for 18830	2	33581	Pin for 18830	10	33589	Spring for 18830	18
33574	Washer for 18830	3	33582	Pin for 18830	11	33590	Tray for 18830	19
33575	Square Bar Support for Plate for 18830	4	33583	Chain Guard for 18830	12	33591	Housing for 18830	20
33576	Plate Stop for 18830	5	33584	Screw for 18830	13	33592	Foot for 18830	21
33577	Washer for 18830	6	33585	Screw for 18830	14	33593	Nut for 18830	22
33578	Screw for 18830	7	33586	Thumb Screw for 18830	15	33594	Washer for 18830	23
33579	Tray for 18830	8	33587	Screw for 18830	16			

**Flywheel**

Item No.	Description	Position	Item No.	Description	Position	Item No.	Description	Position
33595	Gear Pivot for 18830	1	33613	Axial Bearing for 18830	19	33631	Oiler for 18830	37
33596	Gear for 18830	2	33614	Gear for 18830	20	33632	Oiler for 18830	38
33597	Rod / Counter for 18830	3	33615	Tapped Pin for 18830	21	33633	Bushing for 18830	39
33598	Set Screw for 18830	4	33616	Gear for 18830	22	33634	Gear Shaft for 18830	40
33599	Screw for 18830	5	33617	Tapped Pin for 18830	23	33635	Axial Bearing for 18830	41
33600	Washer for 18830	6	33618	Axial Bearing for 18830	24	33636	Axial Bearing for 18830	42
33601	Joint for 18830	7	33619	Axial Bearing for 18830	25	33637	Axial Bearing for 18830	43
33602	Screw for 18830	8	33620	Axial Bearing for 18830	26	33638	Set Screw for 18830	44
33603	Nut for 18830	9	33621	Screw Chrome for 18830	27	33639	Gear for 18830	45
33604	Pin for 18830	10	33622	Meat Grip Handle for 18830	28	33640	Cap for 18830	46
33605	Nut for 18830	11	33623	Pin for 18830	29	33641	Screw for 18830	47
33606	Joint for 18830	12	33624	Nut for 18830	30	33642	Pin for 18830	48
33607	Washer for 18830	13	33625	Tapped Pin for 18830	31	33643	Washer for 18830	49
33608	Washer for 18830	14	33626	Screw Chrome for 18830	32	33644	Bearing for 18830	50
33609	Carriage Slide Bar for 18830	15	33627	Fly Wheel for 18830	33	33645	Spacer for 18830	51
33610	Axial Bearing for 18830	16	33628	Set Screw for 18830	34	33646	Bearing for 18830	52
33611	Axial Bearing for 18830	17	33629	Bearing for 18830	35			
33612	Axial Bearing for 18830	18						



# Parts Breakdown

## Model MS-IT-0370-M 18830

## Blade Assembly

Item No.	Description	Position	Item No.	Description	Position	Item No.	Description	Position
33647	Screw Chrome for 18830	1	33662	Chain Link for 18830	16	33677	Hinge for 18830	31
33648	Blade Washer for 18830	2	33663	Chain Link for 18830	17	33678	Meat Defector for 18830	32
16653	Blade mm.370/57/4/300 Lip 1" for 18830	3	33664	Chain Link for 18830	18	33679	Set Screw for 18830	33
33650	Screw TC 5x10 for 18830	4	33665	Thumb Screw for 18830	19	33680	Screw for 18830	34
33651	Bladering Guard for 18830	5	33666	Blade Guard for 18830	20	33681	Screw for 18830	35
33652	Screw for 18830	6	33667	Bracket for 18830	21	33682	Set Screw for 18830	36
33653	Washer for 18830	7	33668	Washer for 18830	22	33683	Bearing for 18830	37
33654	Spacer for 18830	8	33669	Screw for 18830	23	33684	Bearing Sleeve	38
33655	Set Screw for 18830	9	33670	Bracket for 18830	24	33685	Bearing for 18830	39
33656	Thumb Screw for 18830	10	33671	Screw for 18830	25	33686	Pin for 18830	40
33657	Set Screw for 18830	11	33672	Washer for 18830	26	33687	Washer for 18830	41
33658	Bearing and Shaft for 18830	12	33673	Screw for 18830	27	33688	Nut for 18830	42
33659	Gear Pig Z 15 for 18830	13	33674	Screw for 18830	28	33689	Nut for 18830	43
33660	Tappered Pin for 18830	14	33675	Washer for 18830	29	33690	Blade Shaft Cap for 18830	44
33661	Chain for 18830	15	33676	Screw for 18830	30	37437	Pin for 18830	45

## Advancement Cart

Item No.	Description	Position	Item No.	Description	Position	Item No.	Description	Position
33764	Index Knob for 18830	1	33782	Nut for 18830	19	33800	Set Screw for 18830	37
33765	Indicator Numbers for 18830	2	33783	Nut for 18830	20	33801	Wheel Plate for 18830	38
33766	Set Screw for 18830	3	33784	Washer for 18830	21	33802	Set Screw for 18830	39
33767	Screw for 18830	4	33785	Wavy Washer for 18830	22	33803	Fly Wheel for 18830	40
33768	Screw for 18830	5	33786	Washer for 18830	23	33804	Handle for 18830	41
33769	Screw for 18830	6	33787	Feed Screw Shaft for 18830	24	33805	Pin for 18830	42
33770	Cam for 18830	7	33788	Bushing for 18830	25	33806	Socket Head Screw for 18830	43
33771	Spring for 18830	8	33789	Feed Screw Bushing for 18830	26	33807	Screw for 18830	44
33772	Pin for 18830	9	33790	Screw for 18830	27	33808	Nut for 18830	45
33773	Gear for 18830	10	33791	Washer for 18830	28	33809	Washer for 18830	46
33774	Tappered Pin for 18830	11	33792	Spacer for 18830	29	33810	Small Skip Latch for 18830	47
33775	Screw for 18830	12	33793	Pin for 18830	30	33811	Screw for 18830	48
33776	Washer for 18830	13	33794	Spring for 18830	31	33812	Screw for 18830	49
33777	Index Mount for 18830	14	33795	Pin for 18830	32	33813	Washer for 18830	50
33778	Rivet for 18830	15	33796	Large Skip Latch for 18830	33	33814	Spring for 18830	51
33779	Cam Pin for 18830	16	33797	Set Screw for 18830	34	33815	Spring for 18830	52
33780	Set Screw for 18830	17	33798	Gear for 18830	35	33816	Washer for 18830	53
33781	Bearing PVC for 18830	18	33799	Spring for 18830	36	33817	Screw for 18830	54

# Parts Breakdown

**Model MS-IT-0370-M 18830**

**Cart**

Item No.	Description	Position	Item No.	Description	Position	Item No.	Description	Position
33691	Rod for 18830	1	33716	Screw for 18830	26	33741	Rod for 18830	51
33692	Sharpener Support Bracket for 18830	2	33717	Washer for 18830	27	33742	Knob for 18830	52
33693	Set Screw for 18830	3	33718	Screw for 18830	28	33743	Set Screw for 18830	53
33694	Washer for 18830	4	33719	Washer for 18830	29	33744	Pin for 18830	54
33695	Screw for 18830	5	33720	Wire Bracket for 18830	30	33745	Slide for 18830	55
33696	Washer for 18830	6	33721	Cable for 18830	31	33746	Washer for 18830	56
33697	Bearing for 18830	7	33722	Wick for 18830	32	33747	Screw for 18830	57
33698	Carriage Rail for 18830	8	33723	Plate Base for 18830	33	33748	Set Screw for 18830	58
33699	Pin for 18830	9	33724	Screw for 18830	34	33749	Set Screw for 18830	59
33700	Foot for 18830	10	33725	Screw for 18830	35	33750	Set Screw for 18830	60
33701	Pin for 18830	11	33726	Wire Bracket for 18830	36	33751	Tapered Pin for 18830	61
33702	Washer for 18830	12	33727	Set Screw for 18830	37	33752	Screw for 18830	62
33703	Nut for 18830	13	33728	Washer for 18830	38	33753	Washer for 18830	63
33704	Set Screw for 18830	14	33729	Screw for 18830	39	33754	Washer for 18830	64
33705	Set Screw for 18830	15	33730	Bushing for 18830	40	33755	Bearing for 18830	65
33706	Flat Bracket for 18830	16	33731	Set Screw for 18830	41	33756	Pin for 18830	66
33707	Screw for 18830	17	33732	Bottom Plate Cover for 18830	42	33757	Pin for 18830	67
33708	Slide Bar Cover for 18830	18	33733	Screw for 18830	43	33758	Mount for 18830	68
33709	Screw for 18830	19	33734	Comb Block for 18830	44	33759	Plate for 18830	69
33710	Screw for 18830	20	33735	Support Mount for 18830	45	33760	Screw for 18830	70
33711	Carriage Slide Bar for 18830	21	33736	Spring for 18830	46	33761	Plate for 18830	71
33712	Bushing for 18830	22	33737	Screw for 18830	47	33762	Washer for 18830	73
33713	Carriage Support for 18830	23	33738	Bushing for 18830	48	33763	Washer for 18830	74
33714	Set Screw for 18830	24	33739	Bushing for 18830	49			
33715	Joint for 18830	25	33740	Set Screw for 18830	50			

## Meat Tray Assembly

Item No.	Description	Position	Item No.	Description	Position	Item No.	Description	Position
33818	Complete Arm Assembly for 18830	1 - 38	33823	Set Screw for 18830	43	33827	Set Screw for 18830	47
33819	Column for 18830	39 - 40	33824	Spacer for 18830	44	33828	Steel Pin for 18830	48
33821	Set Screw for 18830	41	33825	Top Plate for 18830	45	33829	Bottom Plate for 18830	49
33822	Tightening Knob for 18830	42	33826	Set Screw for 18830	46	33830	Screw for 18830	50

# Parts Breakdown

**Model MS-IT-0370-M 18830**

**Sharpening Assembly**

Item No.	Description	Position	Item No.	Description	Position	Item No.	Description	Position
33831	Pin for 18830	1	33843	Sharpener Push Button for 18830	13	33855	Push Button Screw for 18830	25
33832	Knob for 18830	2	33844	Ball Bearing for 18830	14	33856	Ball Bearing for 18830	26
33833	Shaft for Sharpener for 18830	3	33845	Nut for 18830	15	33857	Spring for 18830	27
33834	Pin for 18830	4	33846	Washer for 18830	16	33858	Washer for 18830	28
33835	Nut for 18830	5	33545	45x13x6 Sharpening Stone for 18830	17	33859	Set Screw for 18830	29
33836	Pin for 18830	6	33848	Sharpener Pin for 18830	18	33860	Screw for 18830	30
33837	Nut for 18830	7	33849	Spring for 18830	19	33861	Washer for 18830	31
33838	Sharpener Pin for 18830	8	33850	Washer for 18830	20	33862	Sharpener Body for 18830	32
18016	Omcan G Stone 50x08x06 for 18830	9	33851	Screw for 18830	21	33863	Screw for 18830	33
33840	Washer for 18830	10	33852	Sharpener Cover for 18830	22	33864	Washer for 18830	34
33841	Nut for 18830	11	33853	Sharpener Cover Knob for 18830	23			
33842	Push Button Screw for 18830	12	33854	Sharpener Push Button for 18830	24			

## Support Stand

Item No.	Description	Position
33865	Pedestal Base for 18830	1 - 4









# Warranty Registration

Thank you for purchasing an Omcan product. To register your warranty for this product, complete the information below, tear off the card at the perforation and then send to the address specified below. You can also register online by visiting:

Merci d'avoir acheté un produit Omcan. Pour enregistrer votre garantie pour ce produit, complétez les informations ci-dessous, détachez la carte au niveau de la perforation, puis l'envoyer à l'adresse spécifiée ci-dessous. Vous pouvez également vous inscrire en ligne en visitant:

Gracias por comprar un producto Omcan usted. Para registrar su garantía para este producto, complete la información a continuación, cortar la tarjeta en la perforación y luego enviarlo a la dirección indicada a continuación. También puede registrarse en línea en:

<https://omcan.com/warranty-registration/>

For mailing in Canada

Pour postale au Canada

Por correo en Canadá

**OMCAN**

PRODUCT WARRANTY REGISTRATION

3115 Pepper Mill Court,

Mississauga, Ontario

Canada, L5L 4X5

For mailing in the US

Pour diffusion aux États-Unis

Por correo en los EE.UU.

**OMCAN**

PRODUCT WARRANTY REGISTRATION

4450 Witmer Industrial Estates, Unit 4,

Niagara Falls, New York

USA, 14305

*or email to: [service@omcan.com](mailto:service@omcan.com)*



Purchaser's Information

Name: \_\_\_\_\_

Address: \_\_\_\_\_

City: \_\_\_\_\_ Province or State: \_\_\_\_\_ Postal or Zip: \_\_\_\_\_

Country: \_\_\_\_\_

Dealer from which Purchased: \_\_\_\_\_

Dealer City: \_\_\_\_\_ Dealer Province or State: \_\_\_\_\_

Invoice: \_\_\_\_\_

Model Name: \_\_\_\_\_ Model Number: \_\_\_\_\_

Machine Description: \_\_\_\_\_

Date of Purchase (MM/DD/YYYY): \_\_\_\_\_

Would you like to extend the warranty?  Yes  No

Company Name: \_\_\_\_\_

Telephone: \_\_\_\_\_

Email Address: \_\_\_\_\_

Type of Company:

Restaurant  Bakery  Deli

Butcher  Supermarket  Caterer

Institution (specify): \_\_\_\_\_

Other (specify): \_\_\_\_\_

Serial Number: \_\_\_\_\_

Date of Installation (MM/DD/YYYY): \_\_\_\_\_

**Thank you for choosing Omcan | Merci d'avoir choisi Omcan | Gracias por elegir Omcan**



Since 1951 Omcan has grown to become a leading distributor of equipment and supplies to the North American food service industry. Our success over these many years can be attributed to our commitment to strengthen and develop new and existing relationships with our valued customers and manufacturers. Today with partners in North America, Europe, Asia and South America, we continually work to improve and grow the company. We strive to offer customers exceptional value through our qualified local sales and service representatives who provide convenient access to over 6,500 globally sourced products.

---

Depuis 1951 Omcan a grandi pour devenir un des “leaders” de la distribution des équipements et matériel pour l’industrie des services alimentaires en Amérique du Nord. Notre succès au cours de ces nombreuses années peut être attribué à notre engagement à renforcer et à développer de nouvelles et existantes relations avec nos clients et les fabricants de valeur. Aujourd’hui avec des partenaires en Amérique du Nord, Europe, Asie et Amérique du Sud, nous travaillons continuellement à améliorer et développer l’entreprise. Nous nous efforçons d’offrir à nos clients une valeur exceptionnelle grâce à nos ventes locales qualifiées et des représentants de service qui offrent un accès facile à plus de 6500 produits provenant du monde entier.

---

Desde 1951 Omcan ha crecido hasta convertirse en un líder en la distribución de equipos y suministros de alimentos en América del Norte industria de servicios. Nuestro éxito en estos años se puede atribuir a nuestro compromiso de fortalecer y desarrollar nuevas relaciones existentes con nuestros valiosos clientes y fabricantes. Hoy con socios de América del Norte, Europa, Asia y América del Sur, que trabajan continuamente para mejorar y crecer la empresa. Nos esforzamos por ofrecer a nuestros clientes valor excepcional a través de nuestro local de ventas y representantes de los servicios que proporcionan un fácil acceso a más de 6,500 productos con origen a nivel mundial.

